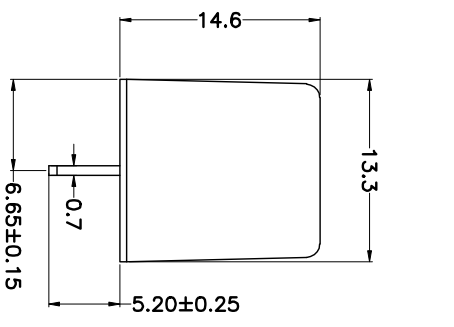
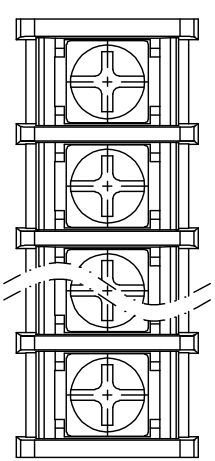
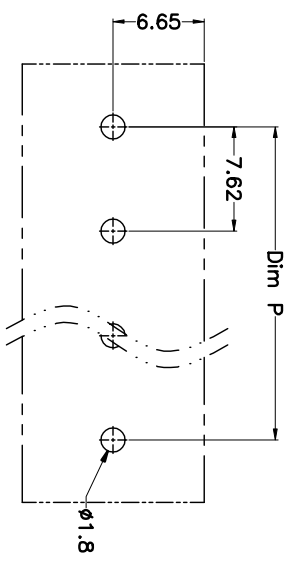
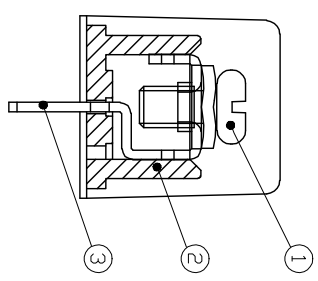
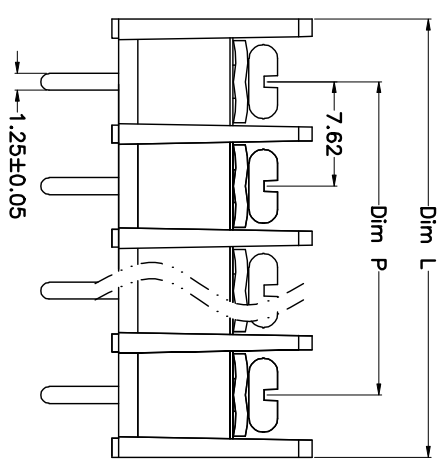


REV.	DESCRIPTION	DATE	DRAWN	APPROVED
A1	DWG.REL	2015.3.12	FANG	YANG



N=Number of Poles
 Dim P=(N-1)x7.62
 Dim L=Nx7.62+1.5

Poles	Dim P	Dim L
2-6P	±0.10	±0.15
7-12P	±0.20	±0.20
13-18P	±0.25	±0.30
19-24P	±0.30	±0.40



P.C.B.LAYOUT

GENERAL TOLERANCE	ANGLE TOLERANCE	SCALE	DRAWING TYPE	CUSTOMER	SHEET	1 OF 1
X: ±0.5 X: ±0.3 .XX: ±0.1	X: ±5° X: ±3° .XX: ±1°	1:1				

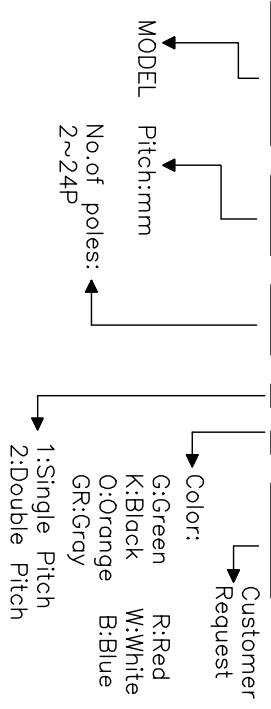
- Material
 @Screws : M3.0 steel, Ni plated
 @Housing : PA66,UL94V-0
 @Terminal : Brass, Tin plated

- Electrical
 UL IEC
 Rated voltage : 300V 250V
 Rated current : 15A 24A
 Insulation resistance: 500MΩ/DC500V
 Withstanding Voltage : AC2000V/1min
 Wire range: 22-14AWG 2.5mm²

- Mechanical
 Operating temperature:-40°C~+105°C
 Soldering temperature:250°C±5/5sec
 Torque: 0.5N.m (4.43lb.in)

HOW TO ORDER

KF-25C-7.62-XXP-1 X-XXXXXX



PROJECTION	TITLE
mm	KF-25C-7.62-XXP
SHEET SIZE A4	SERIES KF-25C

科奕科技有限公司