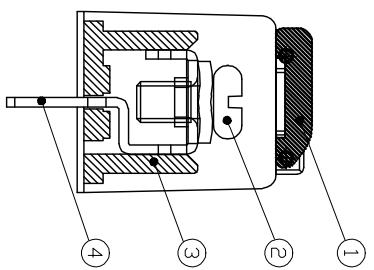
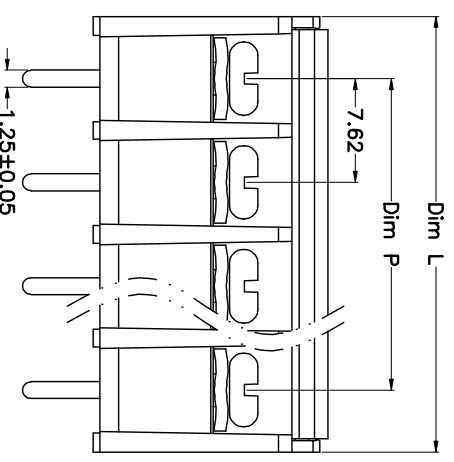
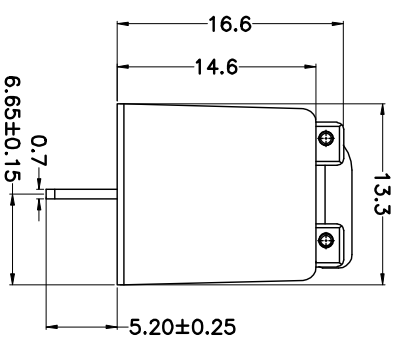
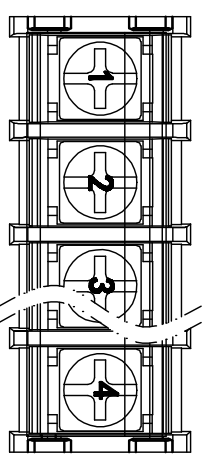
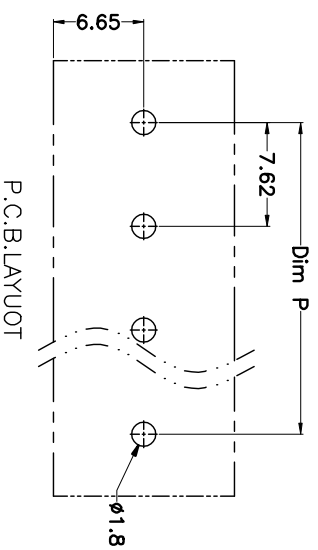


REV.	DESCRIPTION	DATE	DRAWN	APPROVED
A1	DWG.REL	2015.3.12	FANG	YANG



N=Number of Poles  
Dim P=(N-1)x7.62  
Dim L=Nx7.62+1.5

Poles	Dim P	Dim L
2-6P	±0.10	±0.15
7-12P	±0.20	±0.20
13-18P	±0.25	±0.30
19-24P	±0.30	±0.40



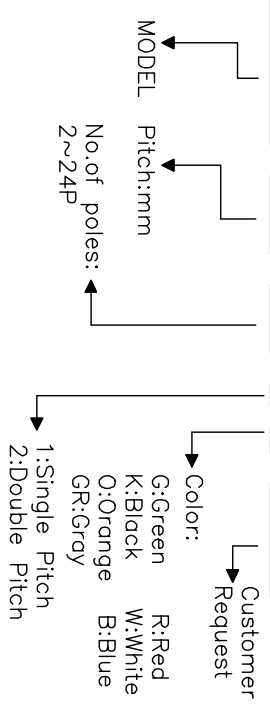
- Material
  - ØCover : PA66,UL94V-0
  - ØScrews : M3.0 steel, Ni plated
  - ØHousing : PA66,UL94V-0
  - ØTerminal : Brass, Tin plated

- Electrical UL IEC
  - Rated voltage : 300V 250V
  - Rated current : 15A 24A
  - Insulation resistance: 500MΩ/DC500V
  - Withstanding Voltage : AC2000V/1min
  - Wire range: 22-14AWG 2.5mm<sup>2</sup>

- Mechanical
  - Operating temperature:-40°C~+105°C
  - Soldering temperature:250°C±5/5sec
  - Torque: 0.5N.m (4.43lb.in)

HOW TO ORDER

KF-25CM-7.62-XXP-1 X-XXXXX



GENERAL TOLERANCE	ANGLE TOLERANCE
X. ±0.5	X. ±5'
.X ±0.3	.X ±3'
.XX ±0.1	.XX ±1'

DRAWING TYPE	CUSTOMER
SCALE	1:1
SHEET	1 OF 1
DRAWING NO.	

PROJECTION	TITLE
UNITS mm	KF-25CM-7.62-XXP
SHEET SIZE A4	SERIES KF-25CM

科奕科技有限公司