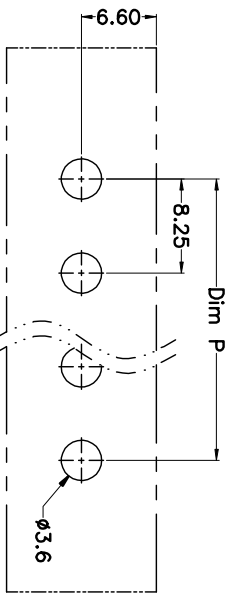
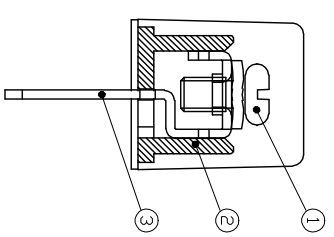
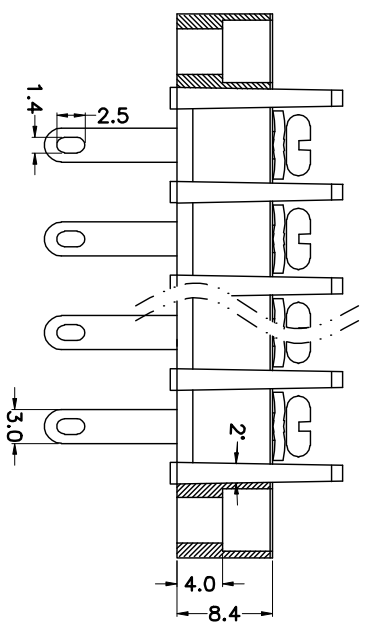
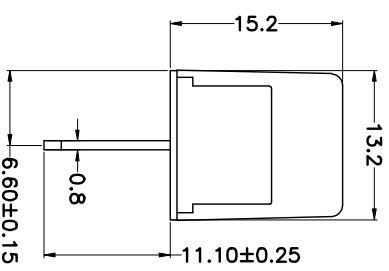
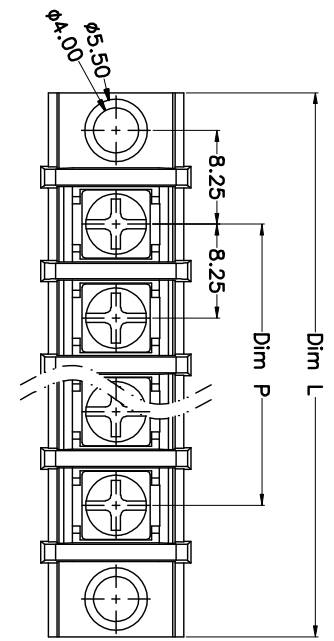


| REV. | DESCRIPTION | DATE | DRAWN | APPROVED |
|------|-------------|-----------|-------|----------|
| A1 | DWG.REL | 2015.3.12 | FANG | YANG |



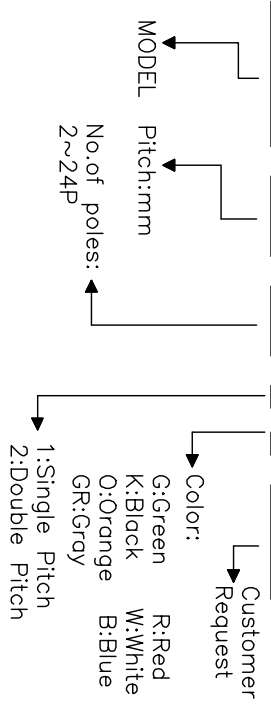
N=Number of Poles
 Dim P=(N-1)x8.25
 Dim L=Nx8.25+14.9

| Poles | Dim P | Dim L |
|--------|-------|-------|
| 2-6P | ±0.10 | ±0.15 |
| 7-12P | ±0.20 | ±0.20 |
| 13-18P | ±0.25 | ±0.30 |
| 19-24P | ±0.30 | ±0.40 |

- Material
 @Screws : M3.0 steel, Ni plated
 @Housing : PA66,UL94V-0
 @Terminal : Brass, Tin plated
- Electrical UL IEC
 Rated voltage : 300V 450V
 Rated current : 20A 24A
 Insulation resistance: 500MΩ/DC500V
 Withstanding Voltage : AC2000V/1min
 Wire range: 22-12AWG 2.5mm²
- Mechanical
 Operating temperature:-40°C~+105°C
 Soldering temperature:250°C±5/5sec
 Torque: 0.5N.m (4.43lb.in)

HOW TO ORDER

KF-30H-8.25-XXP-1 X-XXXXX



| GENERAL TOLERANCE | ANGLE TOLERANCE |
|-------------------|-----------------|
| X. ±0.5 | X. ±5' |
| .X ±0.3 | .X ±3' |
| .XX ±0.1 | .XX ±1' |

| DRAWING TYPE | CUSTOMER |
|--------------|----------|
| SCALE | 1:1 |
| SHEET | 1 OF 1 |
| DRAWING NO. | |

| PROJECTION | TITLE |
|------------|-----------------|
| mm | KF-30H-8.25-XXP |
| SHEET SIZE | SERIES |
| A4 | KF-30H |

科奕科技有限公司