

REV.	DESCRIPTION	DATE	DRAWN	APPROVED
A1	DWG.REL	2015.3.12	FANG	YANG

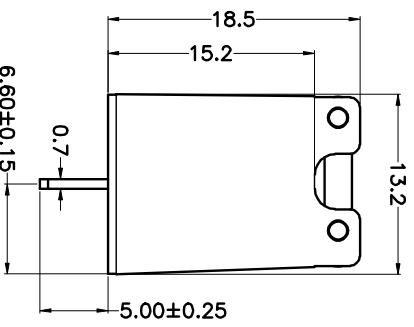
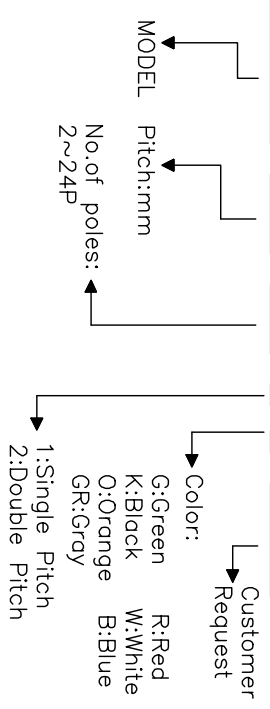
- Material
 - ØCover : PA66,UL94V-0
 - ØScrews : M3.0 steel, Ni plated
 - ØHousing : PA66,UL94V-0
 - ØTerminal : Brass, Tin plated

- Electrical UL IEC
 - Rated voltage : 300V 450V
 - Rated current : 20A 24A
 - Insulation resistance: 500MΩ/DC500V
 - Withstanding Voltage : AC2000V//1min
 - Wire range: 22-12AWG 2.5mm²

- Mechanical
 - Operating temperature: -40°C to +105°C
 - Soldering temperature: 250°C±5/5sec
 - Torque: 0.5N.m (4.43lb.in)

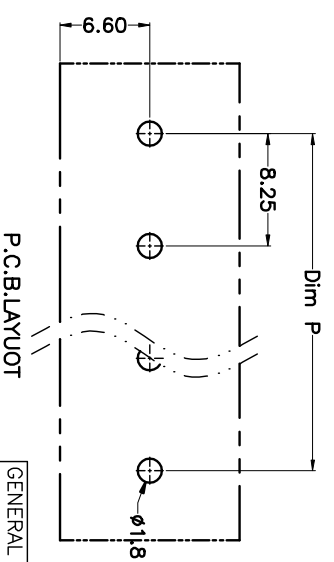
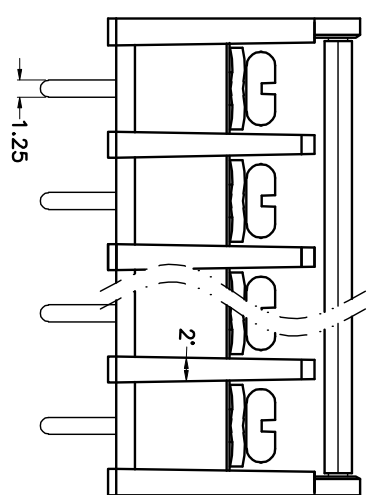
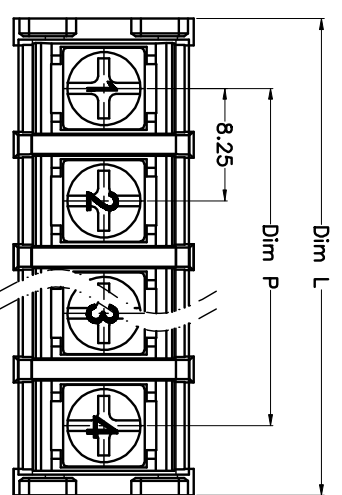
HOW TO ORDER

KF-30CM-8.25-XXP-1 X-XXXXX



N=Number of Poles
Dim P=(N-1)X8.25
Dim L=NX8.25+2

Poles	Dim P	Dim L
2-6P	±0.10	±0.15
7-12P	±0.20	±0.20
13-18P	±0.25	±0.30
19-24P	±0.30	±0.40



GENERAL TOLERANCE	ANGLE TOLERANCE
X. ±0.5	X. ±5'
.X ±0.3	.X ±3'
.XX ±0.1	.XX ±1'

DRAWING TYPE	CUSTOMER
SCALE	1:1
SHEET	1 OF 1
DRAWING NO.	

PROJECTION	TITLE
UNITS mm	KF-30CM-8.25-XXP
SHEET SIZE A4	SERIES KF-30CM

科奕科技有限公司