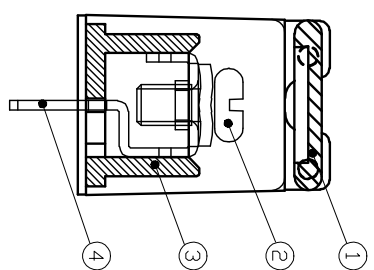
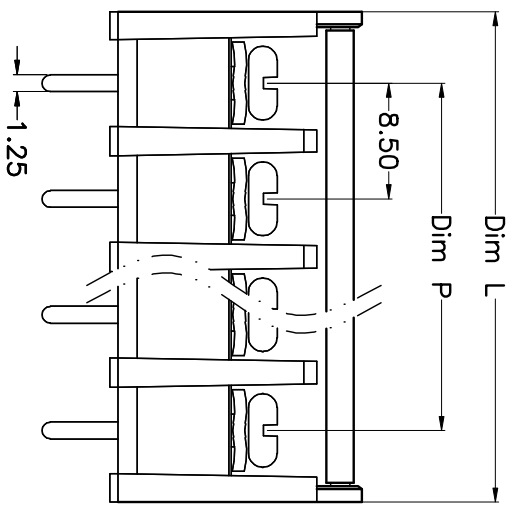
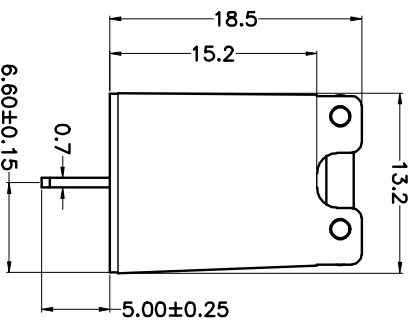
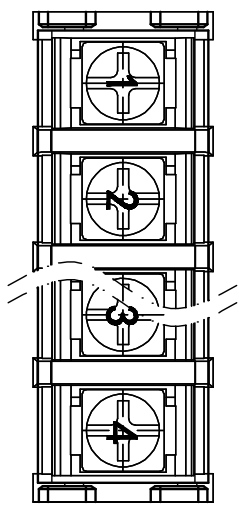


REV.	DESCRIPTION	DATE	DRAWN	APPROVED
A1	DWG.REL	2015.3.12	FANG	YANG



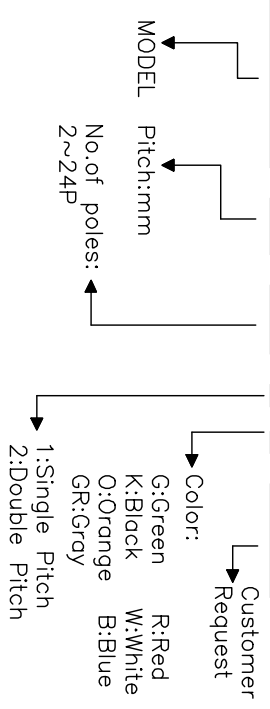
- Material
 - ⌀Cover : PA66,UL94V-0
 - ⌀Screws : M3.0 steel, Ni plated
 - ⌀Housing : PA66,UL94V-0
 - ⌀Terminal : Brass, Tin plated

- Electrical UL IEC
 - Rated voltage : 300V 450V
 - Rated current : 20A 24A
 - Insulation resistance: 500MΩ/DC500V
 - Withstanding Voltage : AC2000V/1min
 - Wire range: 22-12AWG 2.5mm²

- Mechanical
 - Operating temperature: -40°C to +105°C
 - Soldering temperature: 250°C±5/5sec
 - Torque: 0.5N.m (4.43lb.in)

HOW TO ORDER

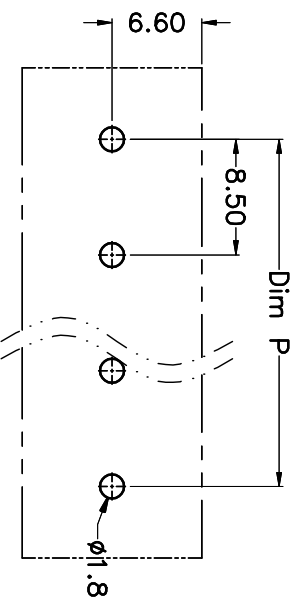
KF-35CM-8.5-XXP-1 X-XXXXX



N=Number of Poles
 Dim P=(N-1)×8.50
 Dim L=N×8.50+2

Poles	Dim P	Dim L
2-6P	±0.10	±0.15
7-12P	±0.20	±0.20
13-18P	±0.25	±0.30
19-24P	±0.30	±0.40

P.C.B.LAYUOT



GENERAL TOLERANCE	ANGLE TOLERANCE
X: ±0.5	X: ±5°
.X: ±0.3	.X: ±3'
.XX: ±0.1	.XX: ±1'

DRAWING TYPE	CUSTOMER
SCALE	1:1
DRAWING NO.	SHEET 1 OF 1

PROJECTION	TITLE
UNITS mm	KF-35CM-8.5-XXP
SHEET SIZE A4	SERIES KF-35CM

科奕科技有限公司