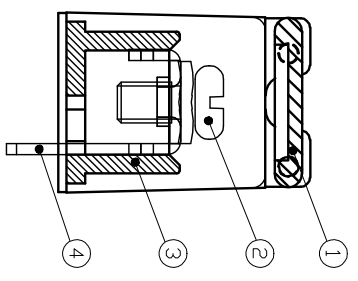
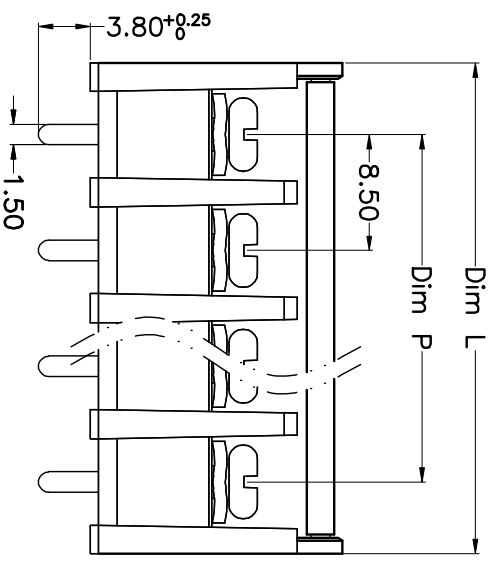
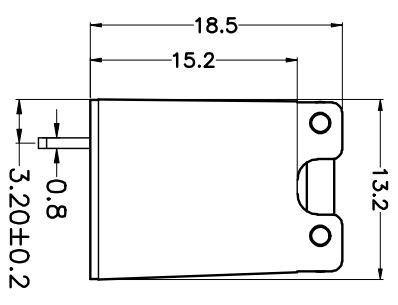
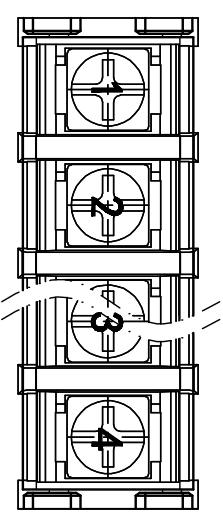
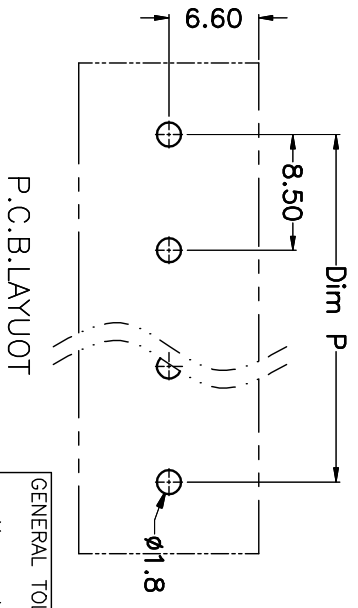


REV.	DESCRIPTION	DATE	DRAWN	APPROVED
A1	DWG.REL	2015.3.12	FANG	YANG



N=Number of Poles  
Dim P=(N-1)X8.50  
Dim L=Nx8.50+2

Poles	Dim P	Dim L
2-6P	±0.10	±0.15
7-12P	±0.20	±0.20
13-18P	±0.25	±0.30
19-24P	±0.30	±0.40



GENERAL TOLERANCE	ANGLE TOLERANCE
X: ±0.5	X: ±5'
.X: ±0.3	.X: ±3'
.XX: ±0.1	.XX: ±1'

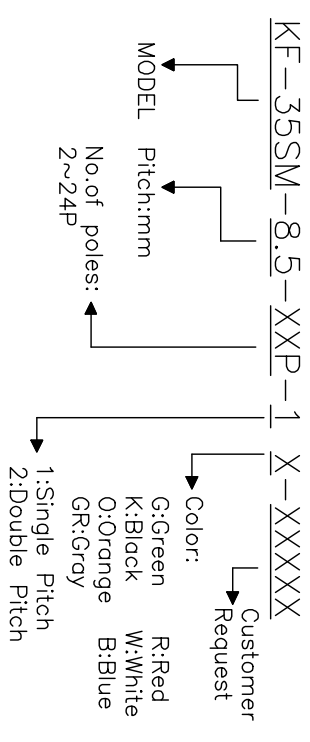
DRAWING TYPE	CUSTOMER	SHEET	1 OF 1
SCALE	1:1		
DRAWING NO.			

- Material  
 @Cover : PA66,UL94V-0  
 @Screws : M3.0 steel, Ni plated  
 @Housing : PA66,UL94V-0  
 @Terminal : Brass, Tin plated

- Electrical UL IEC  
 Rated voltage : 300V 450V  
 Rated current : 20A 24A  
 Insulation resistance: 500MΩ/DC500V  
 Withstanding Voltage : AC2000V/1min  
 Wire range: 22-12AWG 2.5mm<sup>2</sup>

- Mechanical  
 Operating temperature:-40°C~+105°C  
 Soldering temperature:250°C±5/5sec  
 Torque: 0.5N.m (4.43lb.in)

HOW TO ORDER



PROJECTION	TITLE
UNITS mm	KF-35SM-8.5-XXP
SHEET SIZE A4	SERIES KF-35SM

科奕科技有限公司