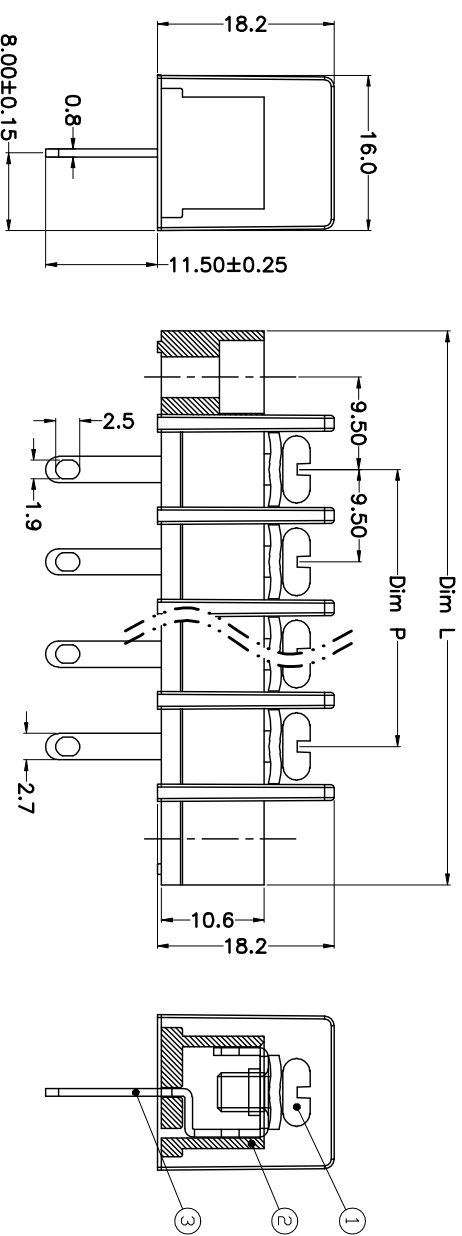
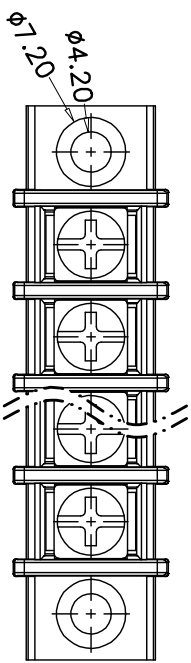
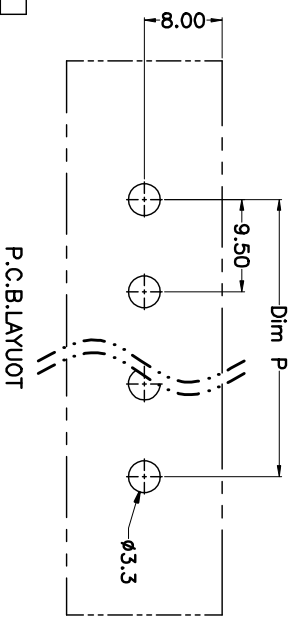


| REV. | DESCRIPTION | DATE      | DRAWN | APPROVED |
|------|-------------|-----------|-------|----------|
| A1   | DWG.REL     | 2015.3.12 | FANG  | YANG     |



N=Number of Poles  
 Dim P=(N-1)X9.50  
 Dim L=Nx9.50+19

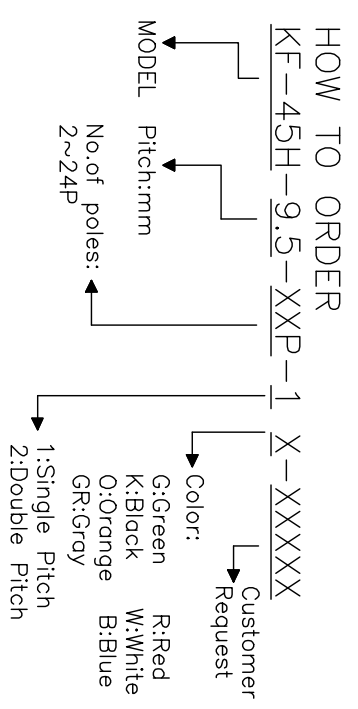
| Poles  | Dim P | Dim P | Dim L |
|--------|-------|-------|-------|
| 2-6P   | ±0.10 | ±0.15 | ±0.15 |
| 7-12P  | ±0.20 | ±0.20 | ±0.20 |
| 13-18P | ±0.25 | ±0.30 | ±0.30 |
| 19-24P | ±0.30 | ±0.40 | ±0.40 |



| GENERAL TOLERANCE              | ANGLE TOLERANCE             | PROJECTION | TITLE          |
|--------------------------------|-----------------------------|------------|----------------|
| X: ±0.5<br>X: ±0.3<br>.XX ±0.1 | X: ±5°<br>X: ±3°<br>.XX ±1° | mm         | KF-45H-9.5-XXP |
| DRAWING TYPE                   | CUSTOMER                    | SHEET      | 1 OF 1         |
| SCALE                          | 1:1                         |            |                |
| DRAWING NO.                    |                             |            |                |

- Material
  - ①Screws : M4.0 steel, Ni plated
  - ②Housing : PA66,UL94V-0
  - ③Terminal : Brass, Tin plated
- Electrical
 

|                                     |                    |
|-------------------------------------|--------------------|
| UL                                  | IEC                |
| Rated voltage : 300V                | 750V               |
| Rated current : 25A                 | 32A                |
| Insulation resistance: 500MΩ/DC500V |                    |
| Withstanding Voltage : AC2000V/1min |                    |
| Wire range: 22-12AWG                | 4.0mm <sup>2</sup> |
- Mechanical
  - Operating temperature: -40°C ~ +105°C
  - Soldering temperature: 250°C ±5/5sec
  - Torque: 1.2N.m (10.53Lb.in)



科奕科技有限公司