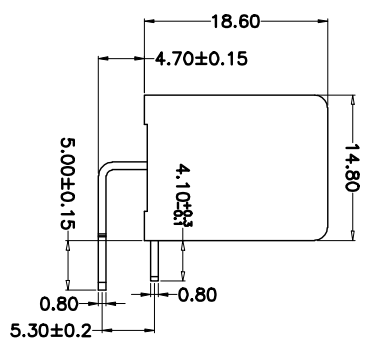
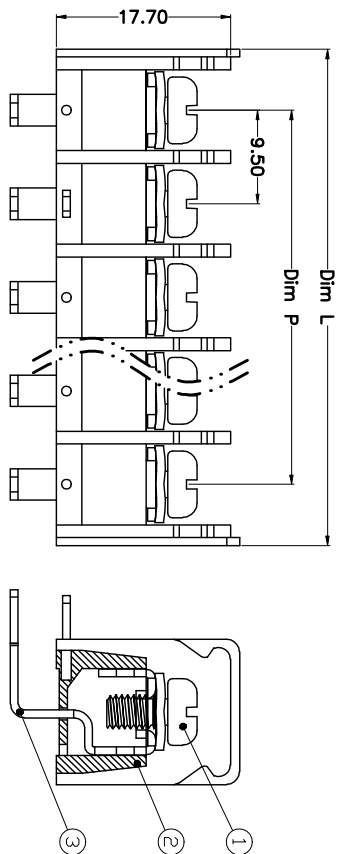
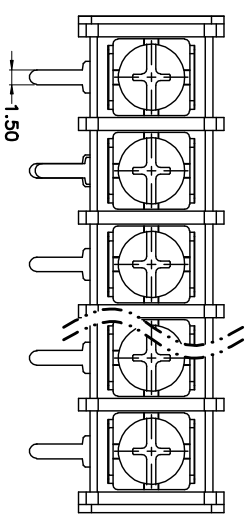
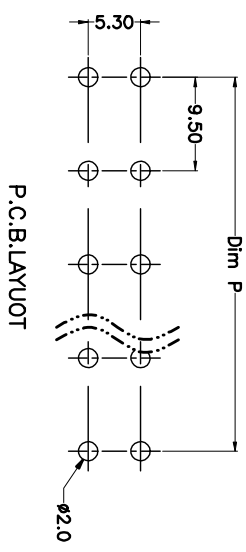


| REV. | DESCRIPTION | DATE | DRAWN | APPROVED |
|------|-------------|-----------|-------|----------|
| A1 | DWG.REL | 2015.3.12 | FANG | YANG |



N=Number of Poles
Dim P=(N-1)×9.5
Dim L=N×9.5+2.9

| Poles | Dim P | Dim L |
|--------|-------|-------|
| 2-6P | ±0.10 | ±0.15 |
| 7-12P | ±0.20 | ±0.20 |
| 13-18P | ±0.25 | ±0.30 |
| 19-24P | ±0.30 | ±0.40 |



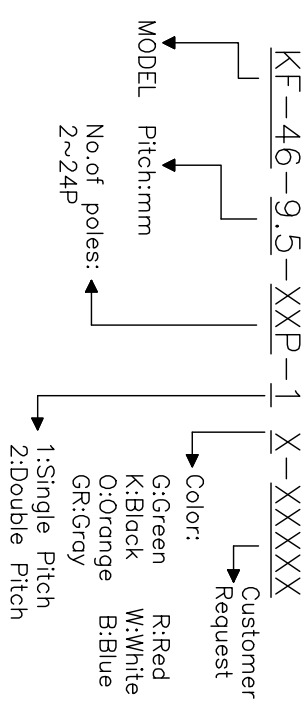
- Material
 - ①Screws : M4.0 steel, Ni plated
 - ②Housing : PA66,UL94V-0
 - ③Terminal : Brass, Tin plated
- Electrical

| | |
|----------------------|------|
| UL | IEC |
| Rated voltage : 300V | 750V |
| Rated current : 25A | 32A |

Insulation resistance: 500MΩ/DC500V
Withstanding Voltage : AC2000V/1min
Wire range: 22-12AWG 4.0mm²
- Mechanical

Operating temperature: -40°C ~ +105°C
Soldering temperature: 250°C ±5/5sec
Torque: 1.2N.m (10.53Lb.in)

HOW TO ORDER



| GENERAL TOLERANCE | ANGLE TOLERANCE |
|-------------------|-----------------|
| X. ±0.5 | X. ±5' |
| .X ±0.3 | .X ±3' |
| .XX ±0.1 | .XX ±1' |

| DRAWING TYPE | CUSTOMER |
|--------------|----------|
| SCALE | 1:1 |
| SHEET | 1 OF 1 |

| PROJECTION | TITLE |
|---------------|---------------|
| UNITS mm | KF-46-9.5-XXP |
| SHEET SIZE A4 | SERIES KF-46 |

科奕科技有限公司