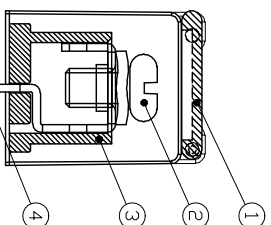
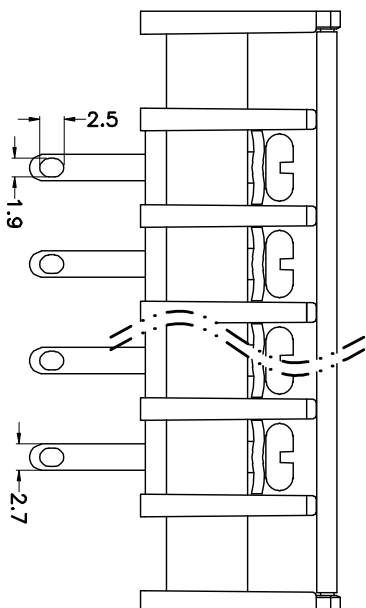
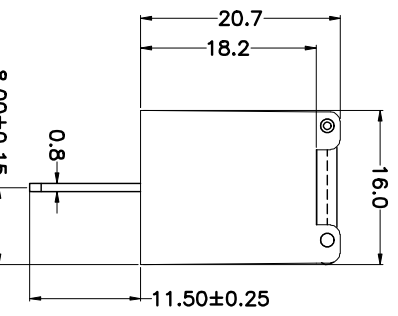
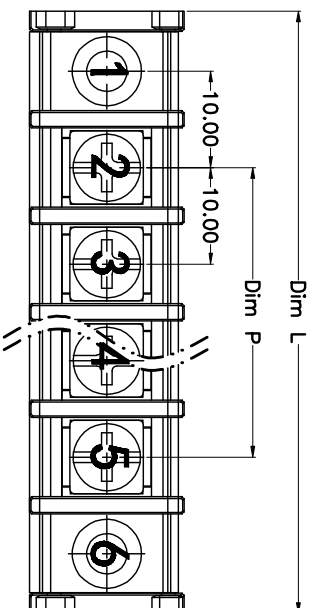
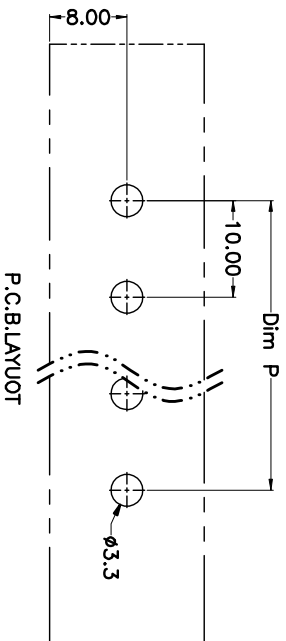


REV.	DESCRIPTION	DATE	DRAWN	APPROVED
A1	DWG.REL	2015.3.12	FANG	YANG



N=Number of Poles
Dim P (N=1)X10.00
Dim L=Nx10.00+22.4

Part No.	Dim P	Dim L
2-6P	±0.10	±0.15
7-12P	±0.20	±0.20
13-18P	±0.25	±0.30
19-24P	±0.30	±0.40

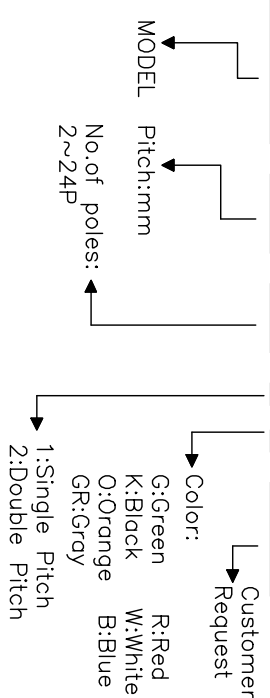


- Material
 - ⊙Cover : PA66,UL94V-0
 - ⊙Screws : M4.0 steel, Ni plated
 - ⊙Housing : PA66,UL94V-0
 - ⊙Terminal : Brass, Tin plated

- Electrical
 - UL IEC
 - Rated voltage : 300V 750V
 - Rated current : 25A 32A
 - Insulation resistance: 500MΩ/DC500V
 - Withstanding Voltage : AC2000V/1min
 - Wire range: 22-12AWG 4.0mm²

- Mechanical
 - Operating temperature: -40°C to +105°C
 - Soldering temperature: 250°C±5/5sec
 - Torque: 1.2N.m (10.53Lb.in)

HOW TO ORDER
KF-55HM-10.0-XXP-1 X-XXXXX



GENERAL TOLERANCE		ANGLE TOLERANCE		PROJECTION		TITLE	
X.	±0.5	X.	±5'	⊕	mm	KF-55HM-10.0-XXP	
.X	±0.3	.X.	±3'		A4	SERIES KF-55HM	
.XX	±0.1	.XX.	±1'				
DRAWING TYPE	CUSTOMER	DRAWING TYPE	CUSTOMER	SHEET	1 OF 1		
SCALE	1:1	SHEET	1 OF 1				
DRAWING NO.							

科奕科技有限公司