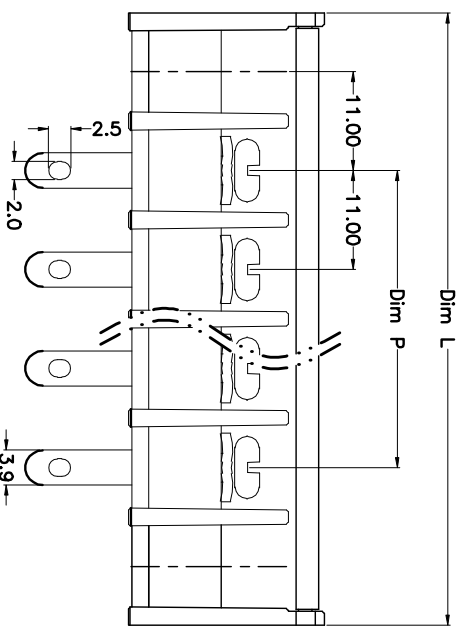
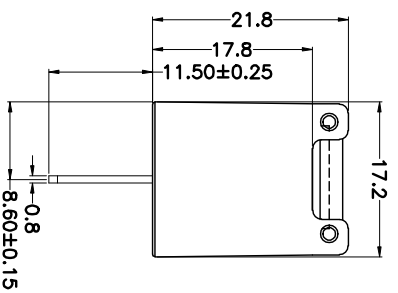
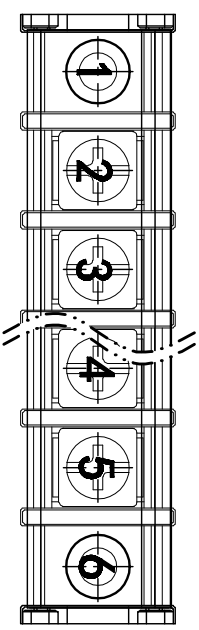
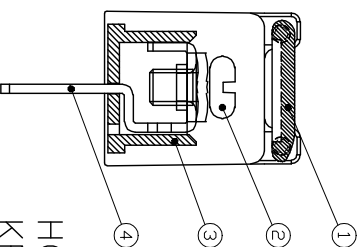
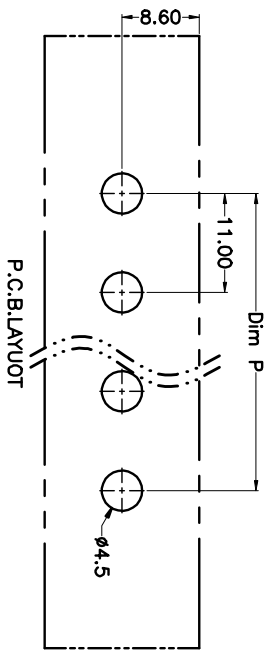


REV.	DESCRIPTION	DATE	DRAWN	APPROVED
A1	DWG.REL	2015.3.12	FANG	YANG



N=Number of Poles  
Dim P=(N-1)X11.00  
Dim L=Nx11.00+24

Part	Dim. P	Dim. L
2-6P	±0.10	±0.15
7-12P	±0.20	±0.20
13-18P	±0.25	±0.30
19-24P	±0.30	±0.40



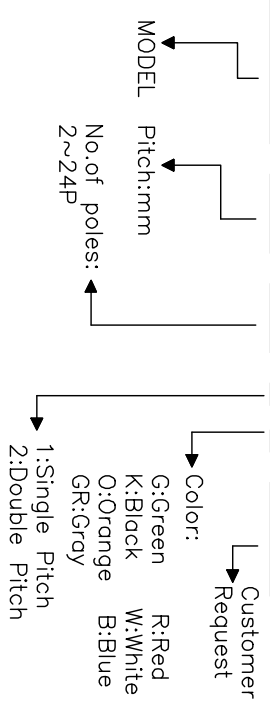
- Material
  - ⊙Cover : PA66,UL94V-0
  - ⊙Screws : M4.0 steel, Ni plated
  - ⊙Housing : PA66,UL94V-0
  - ⊙Terminal : Brass, Tin plated

- Electrical UL IEC
  - Rated voltage : 300V 750V
  - Rated current : 25A 32A
  - Insulation resistance: 500MΩ/DC500V
  - Withstanding Voltage : AC2000V/1min
  - Wire range: 22-12AWG 4.0mm<sup>2</sup>

- Mechanical
  - Operating temperature:-40°C~+105°C
  - Soldering temperature:250°C±5/5sec
  - Torque: 1.2N.m (10.53lb.in)

HOW TO ORDER

KF-65HM-11.0-XXP-1 X-XXXXX



GENERAL TOLERANCE	ANGLE TOLERANCE
X. ±0.5	X. ±5'
.X ±0.3	.X ±3'
.XX ±0.1	.XX ±1'

DRAWING TYPE	CUSTOMER	SHEET	1 OF 1
SCALE	1:1	SHEET	1 OF 1
DRAWING NO.			

PROJECTION	TITLE
UNITS mm	KF-65HM-11.0-XXP
SHEET SIZE A4	SERIES KF-65HM

科奕科技有限公司