

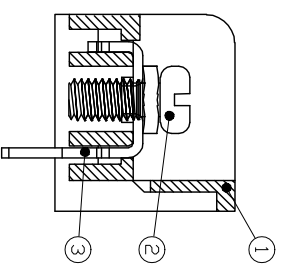
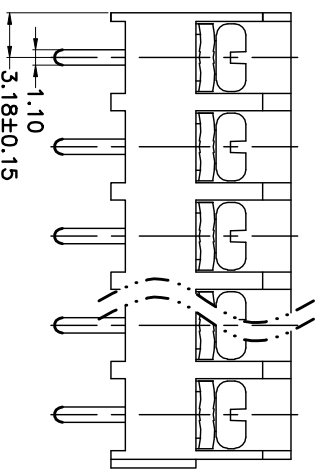
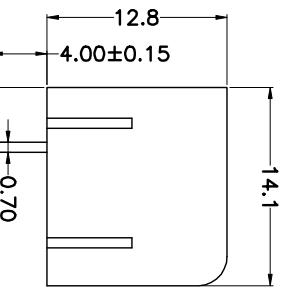
REV.	DESCRIPTION	DATE	DRAWN	APPROVED
A1	DWG.REL	2015.3.12	FANG	YANG

- Material
  - ØScrews : M3.0 steel, Ni plated
  - ØTerminal : Brass, Tin plated
  - ØHousing : PA66,UL94V-0

- Electrical
 

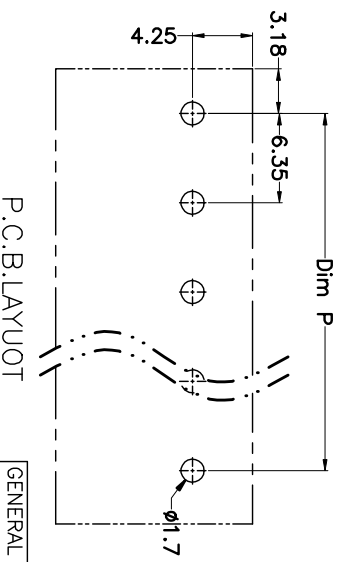
UL	IEC
Rated voltage : 300V	250V
Rated current : 10A	17.5A
Insulation resistance: 500MΩ/DC500V	
Withstanding Voltage : AC2000V/1min	
Wire range: 22-16AWG	1.5mm <sup>2</sup>

- Mechanical
  - Operating temperature: -40°C ~ +105°C
  - Soldering temperature: 250°C ± 5 / 5sec
  - Torque: 0.5N.m (4.43lb.in)



N=Number of Poles  
Dim P=(N-1)x6.35  
Dim L=Nx6.35

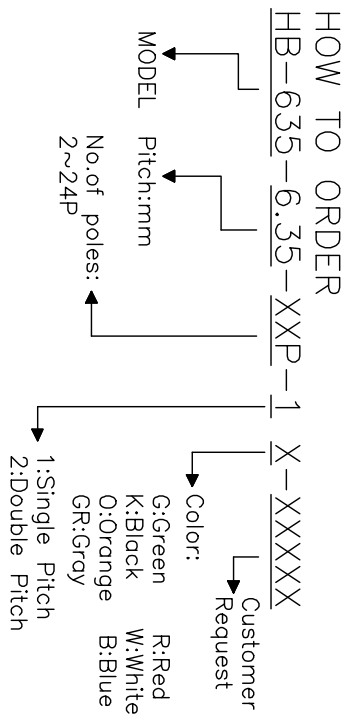
Poles	Dim	Dim P	Dim L
2-6P	±0.10	±0.15	±0.20
7-12P	±0.20	±0.20	±0.30
13-18P	±0.25	±0.30	±0.30
19-24P	±0.30	±0.30	±0.40



P.C.B. LAYOUT

GENERAL TOLERANCE	ANGLE TOLERANCE
X: ±0.5	X: ±5'
.X: ±0.3	.X: ±3'
.XX: ±0.1	.XX: ±1'

DRAWING TYPE	CUSTOMER
SCALE	1:1
SHEET	1 OF 1
DRAWING NO.	



PROJECTION	TITLE
UNITS mm	HB-635-6.35-XXP
SHEET SIZE A4	SERIES HB-635

科奕科技有限公司