

REV.	DESCRIPTION	DATE	DRAWN	APPROVED
A1	DWG.REL	2015.3.12	FANG	YANG

- Material
  - ØScrews : M3.0 steel, Ni plated
  - ØTerminal : Brass, Tin plated
  - ØHousing : PA66,UL94V-0

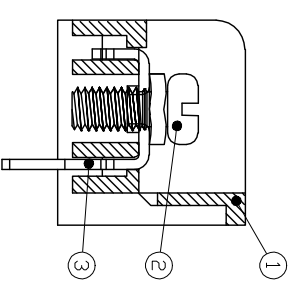
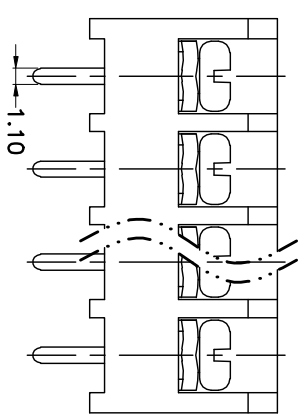
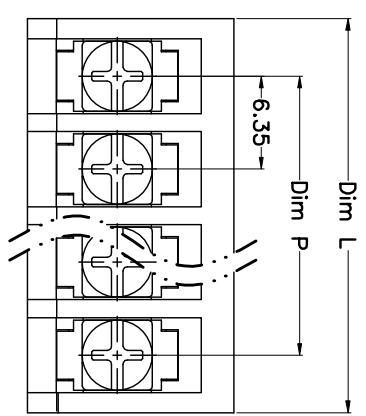
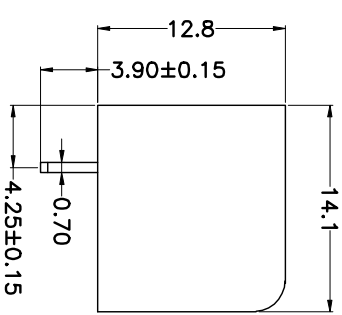
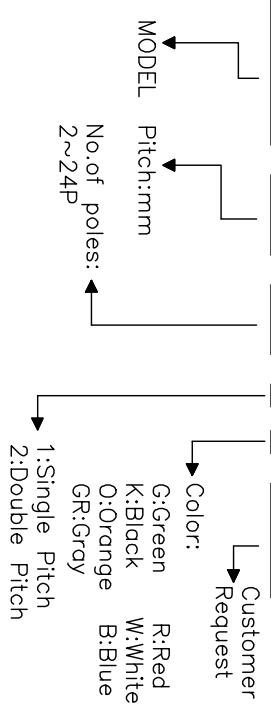
- Electrical
 

UL	IEC
Rated voltage : 300V	250V
Rated current : 10A	17.5A
Insulation resistance: 500MΩ/DC500V	
Withstanding Voltage : AC2000V/1min	
Wire range: 22-16AWG	1.5mm <sup>2</sup>

- Mechanical
  - Operating temperature: -40°C ~ +105°C
  - Soldering temperature: 250°C ±5/5sec
  - Torque: 0.5N.m (4.43lb.in)

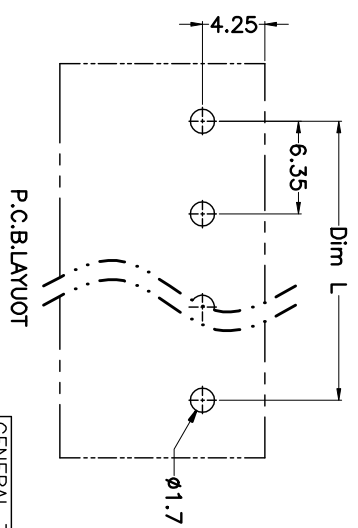
### HOW TO ORDER

HB-635-6.35-XXP-1 X-XXXXXX



N=Number of Poles  
P=(N-1)×6.35  
Dim L=N×6.35+1.5

Poles	Dim P	Dim L
2-6P	±0.10	±0.15
7-12P	±0.20	±0.20
13-18P	±0.25	±0.30
19-24P	±0.30	±0.40



GENERAL TOLERANCE		ANGLE TOLERANCE	
X.	±0.5	X.	±5'
.X	±0.3	.X.	±3'
.XX	±0.1	.XX.	±1'

DRAWING TYPE	CUSTOMER
SCALE	1:1
SHEET	1 OF 1
DRAWING NO.	

PROJECTION	TITLE
UNITS mm	HB-635-6.35-XXP
SHEET SIZE A4	SERIES HB-635

# 科奕科技有限公司