

REV.	DESCRIPTION	DATE	DRAWN	APPROVED
A1	DWG.REL	2015.3.12	FANG	YANG

- Material
 - ØScrews : M3.5 steel, Ni plated
 - ØTerminal : Brass, Tin plated
 - ØHousing : PA66,UL94V-0

- Electrical

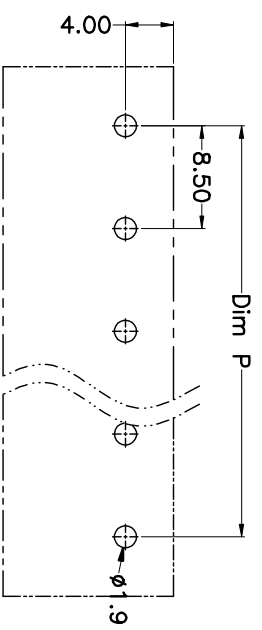
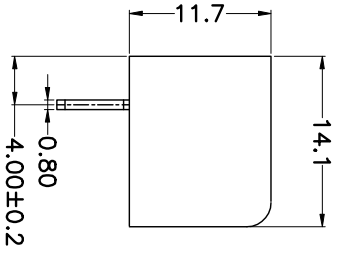
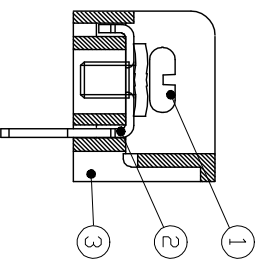
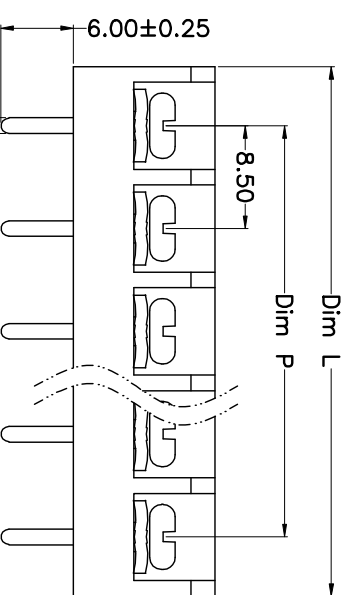
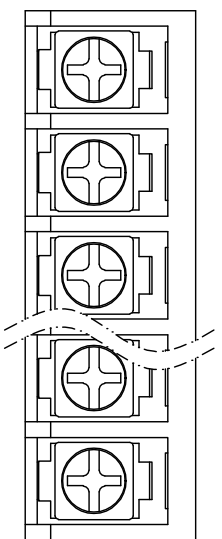
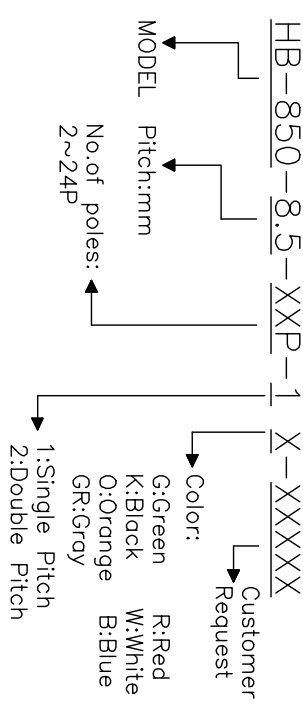
UL	IEC
Rated voltage : 300V	450V
Rated current : 20A	24A

Insulation resistance: 500MΩ/DC500V
 Withstanding Voltage : AC2000V/1min
 Wire range: 22-12AWG 2.5mm²

- Mechanical

Operating temperature: -40°C to +105°C
 Soldering temperature: 250°C±5/5sec
 Torque: 0.8N.m (7.02lb.in)

HOW TO ORDER



P.C.B.LAYUOT

N=Number of Poles
 Dim P=(N-1)×8.50
 Dim L=N×8.50+1.3

Poles	Dim P	Dim L
2-6P	±0.10	±0.15
7-12P	±0.20	±0.20
13-18P	±0.25	±0.30
19-24P	±0.30	±0.40

GENERAL TOLERANCE	ANGLE TOLERANCE
X: ±0.5	X: ±5'
.X: ±0.3	.X: ±3'
.XX: ±0.1	.XX: ±1'

DRAWING TYPE	CUSTOMER
SCALE	1:1
DRAWING NO.	SHEET 1 OF 1

PROJECTION	TITLE
mm	HB-850-8.5-XXP

SHEET SIZE	SERIES
A4	HB-850

科奕科技有限公司