

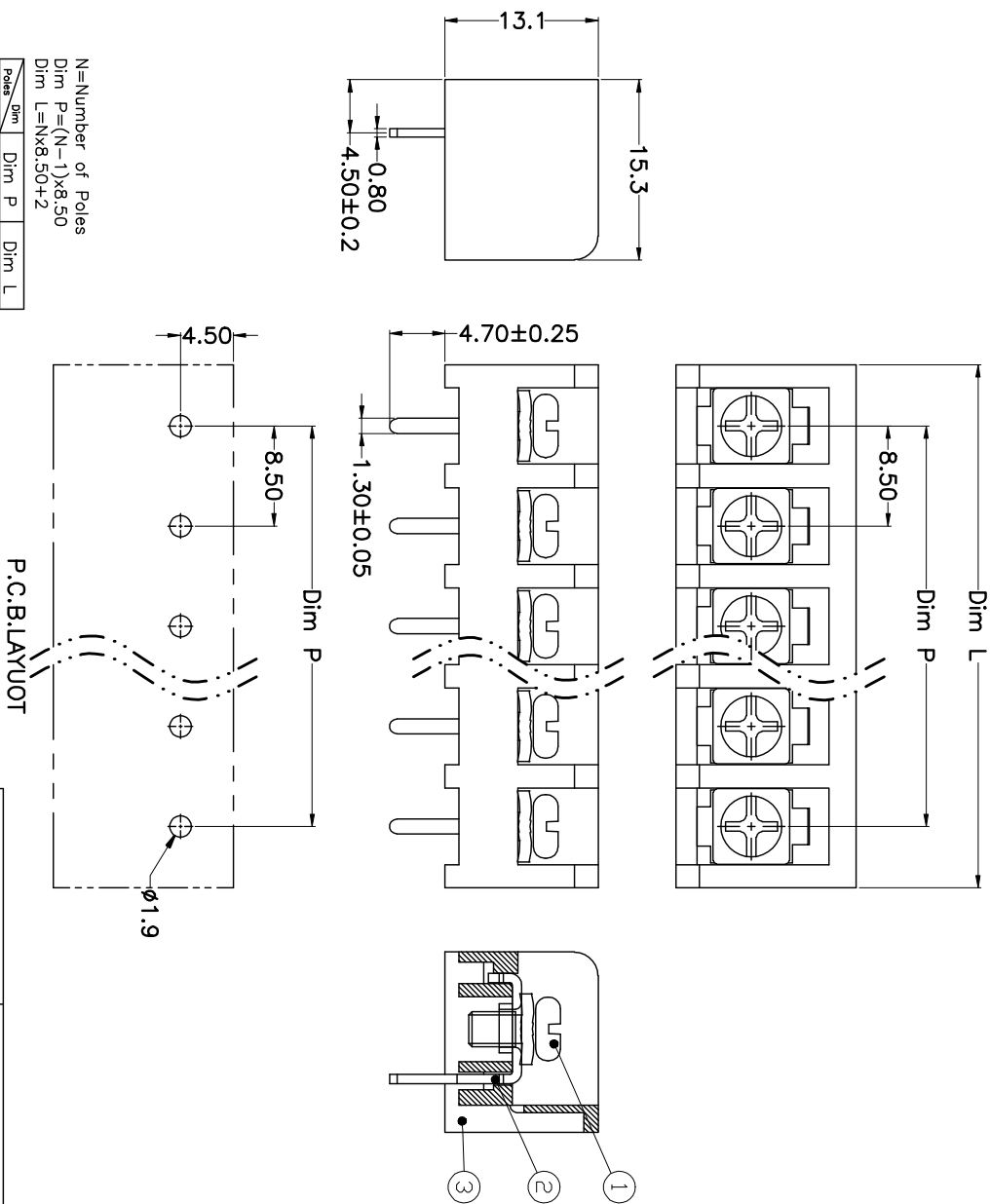
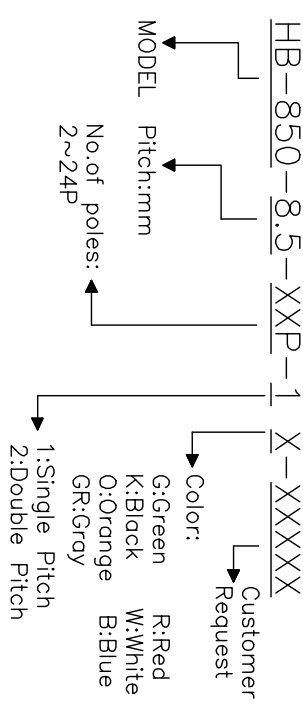
REV.	DESCRIPTION	DATE	DRAWN	APPROVED
A1	DWG.REL	2015.3.12	FANG	YANG

- Material
  - ⊙Screws : M3.5 steel, Ni plated
  - ⊙Terminal : Brass, Tin plated
  - ⊙Housing : PA66,UL94V-0

- Electrical
  - UL IEC
  - Rated voltage : 300V 450V
  - Rated current : 20A 24A
  - Insulation resistance: 500MΩ/DC500V
  - Withstanding Voltage : AC2000V/1min
  - Wire range: 22-12AWG 2.5mm<sup>2</sup>

- Mechanical
  - Operating temperature: -40°C ~ +105°C
  - Soldering temperature: 250°C ±5/5sec
  - Torque: 0.8N.m (7.02Lb.in)

### HOW TO ORDER



N=Number of Poles  
Dim P=(N-1)x8.50  
Dim L=Nx8.50+2

Poles	Dim P	Dim L
2-6P	±0.10	±0.15
7-12P	±0.20	±0.20
13-18P	±0.25	±0.30
19-24P	±0.30	±0.40

GENERAL TOLERANCE	ANGLE TOLERANCE
X: ±0.5	X: ±5'
.X: ±0.3	.X: ±3'
.XX: ±0.1	.XX: ±1'

DRAWING TYPE	CUSTOMER
SCALE	1:1
SHEET	1 OF 1
DRAWING NO.	

PROJECTION	TITLE
mm	HB-850-8.5-XXP
SHEET SIZE	SERIES
A4	HB-850

科奕科技有限公司