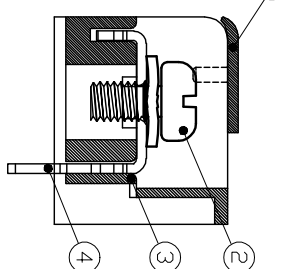
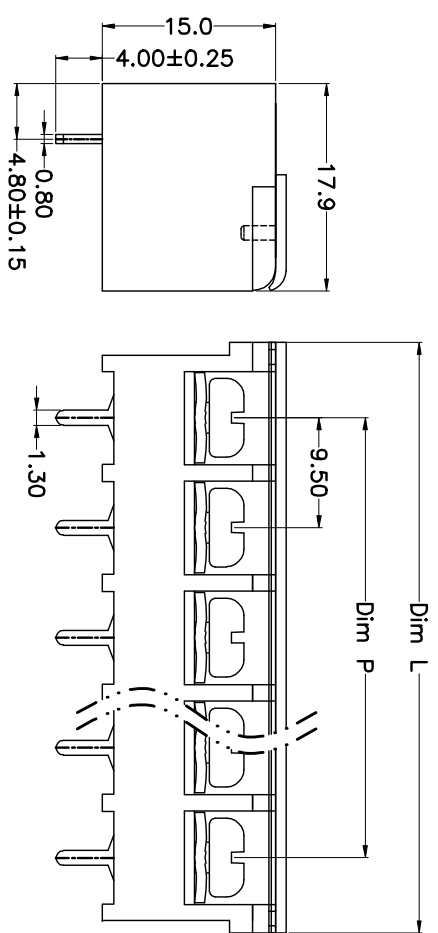
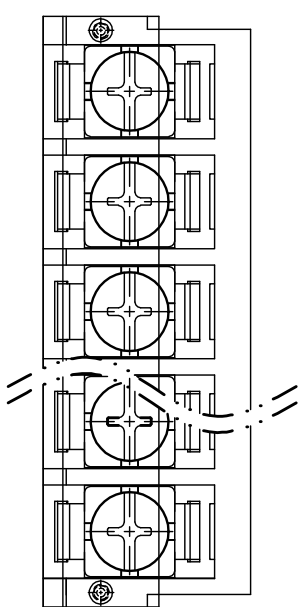


REV.	DESCRIPTION	DATE	DRAWN	APPROVED
A1	DWG.REL	2015.3.12	FANG	YANG



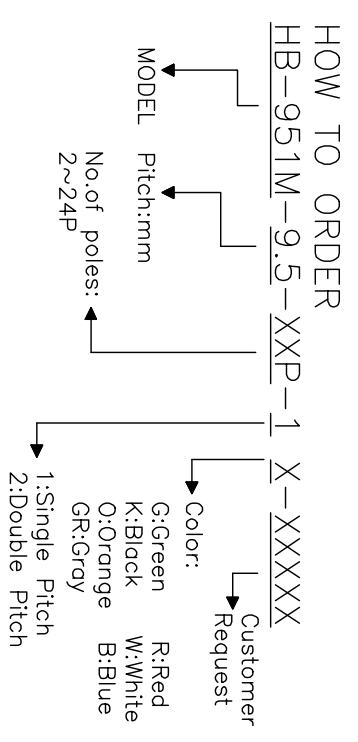
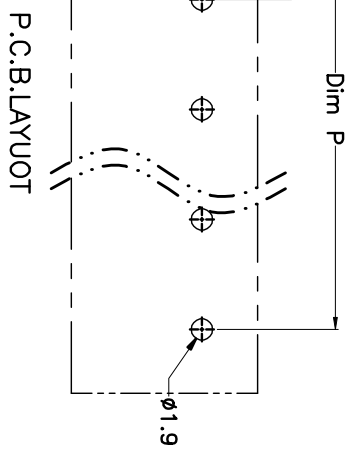
- Material
 - ⊙Cover : PA66,UL94V-0
 - ⊙Screws : M4.0 steel, Ni plated
 - ⊙Housing : PA66,UL94V-0
 - ⊙Terminal : Brass, Tin plated

- Electrical UL IEC
 - Rated voltage : 300V 750V
 - Rated current : 25A 32A
 - Insulation resistance: 500MΩ/DC500V
 - Withstanding Voltage : AC2000V/1min
 - Wire range: 22-12AWG 4.0mm²

- Mechanical
 - Operating temperature: -40°C to +105°C
 - Soldering temperature: 250°C±5/5sec
 - Torque: 1.2N.m (10.53lb.in)

N=Number of Poles
Dim P=(N-1)X9.50
Dim L=Nx9.50+3.5

Poles	Dim P	Dim L
2-6P	±0.10	±0.15
7-12P	±0.20	±0.20
13-18P	±0.25	±0.30
19-24P	±0.30	±0.40



GENERAL TOLERANCE	ANGLE TOLERANCE
X: ±0.5	X: ±5'
.X: ±0.3	.X: ±3'
.XX: ±0.1	.XX: ±1'

PROJECTION	TITLE
mm	HB-951M-9.50-XXP
SHEET SIZE	SERIES
A4	HB-951M

DRAWING TYPE	CUSTOMER
SCALE	SHEET
1:1	1 OF 1

科奕科技有限公司