

REV.	DESCRIPTION	DATE	DRAWN	APPROVED
A1	DWG.REL	2015.3.12	FANG	YANG

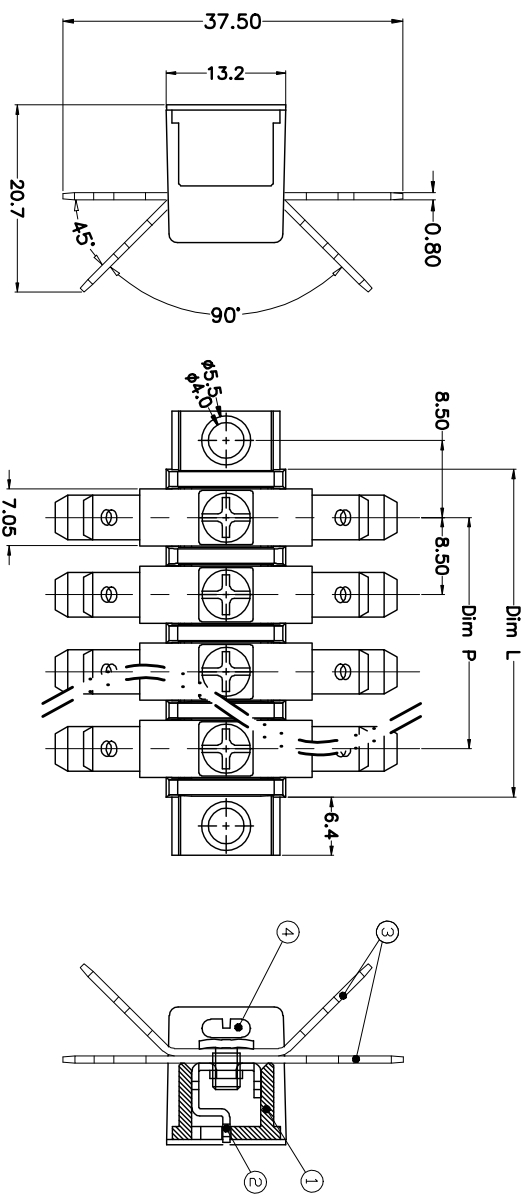
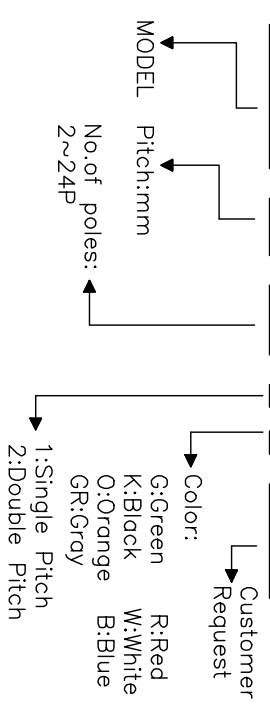
- Material
  - ①Housing : PA66,UL94V-0
  - ②Terminal : Brass, Ni plated
  - ③Plane film: Brass, Ni plated
  - ④Screws : M3.0 steel, Ni plated

- Electrical
  - UL IEC
  - Rated voltage : 300V 450V
  - Rated current : 20A 24A
  - Insulation resistance: 500MΩ/DC500V
  - Withstanding Voltage : AC2000V/1min
  - Wire range: 22-12AWG 2.5mm<sup>2</sup>

- Mechanical
  - Operating temperature:-40℃~+105℃
  - Soldering temperature:250℃±5/5sec
  - Torque: 0.5N.m (4.43lb.in)

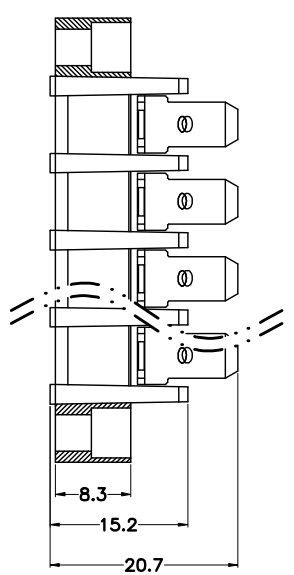
### HOW TO ORDER

KF-35B-8.5-XXP-1 X-XXXXX



N=Number of Poles  
Dim P=(N-1)X8.50  
Dim L=Nx8.50+2

Poles	Dim P	Dim L
2-6P	±0.10	±0.15
7-12P	±0.20	±0.20
13-18P	±0.25	±0.30
19-24P	±0.30	±0.40



GENERAL TOLERANCE	ANGLE TOLERANCE
X: ±0.5	X: ±5'
.X: ±0.3	.X: ±3'
.XX: ±0.1	.XX: ±1'

DRAWING TYPE	CUSTOMER
SCALE	1:1
DRAWING NO.	SHEET 1 OF 1

PROJECTION	TITLE
UNITS mm	KF-35B-8.5-XXP
SHEET SIZE A4	SERIES KF-35B

科奕科技有限公司