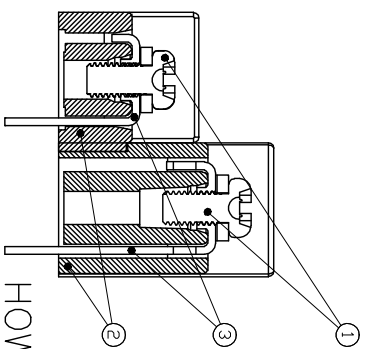
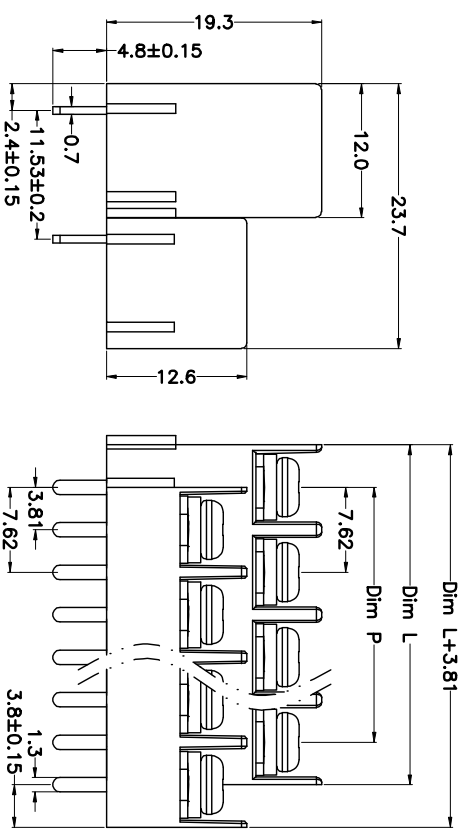
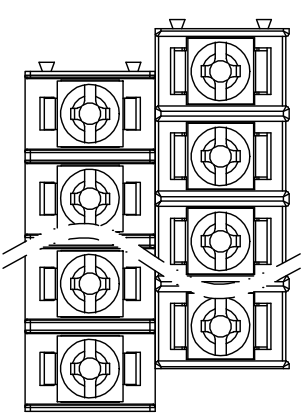


REV.	DESCRIPTION	DATE	DRAWN	APPROVED
A1	DWG.REL	2015.3.12	FANG	YANG

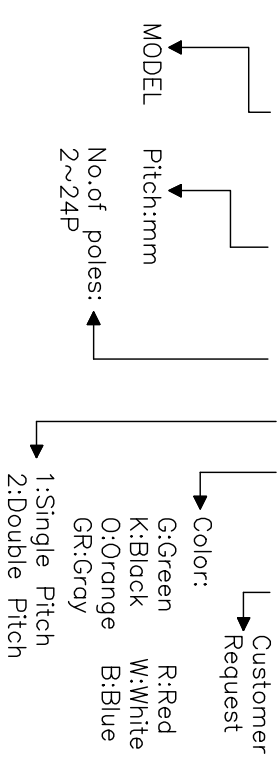


- Material
 - ①Screws : M3 steel, Ni plated
 - ②Housing : PA66,UL94V-0
 - ③Terminal : Brass, Tin plated

- Electrical
 - UL IEC
 - Rated voltage : 300V 450V
 - Rated current : 15A 24A
 - Insulation resistance: 500MΩ/DC500V
 - Withstanding Voltage : AC2000V/1min
 - Wire range: 22-14AWG 2.5mm²

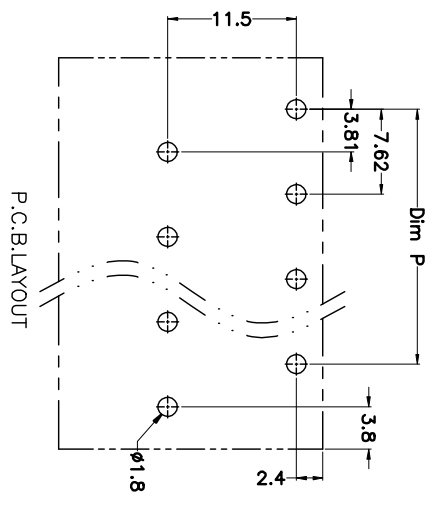
- Mechanical
 - Operating temperature: -40°C ~ +105°C
 - Soldering temperature: 250°C ±5 / 5sec
 - Torque: 0.5N.m (4.43lb.in)

HOW TO ORDER
 KF-762DGA-7.62-XXP-2 X-XXXXX



N=Number of Poles
 Dim P=(N-1)X7.62
 Dim L=NX7.62

Poles/Dim	Dim P	Dim L
2-6P	±0.10	±0.15
7-12P	±0.20	±0.20
13-18P	±0.25	±0.30
19-24P	±0.30	±0.40



GENERAL TOLERANCE		ANGLE TOLERANCE	
X.	±0.5	X.	±5'
.X	±0.3	.X.	±3'
.XX	±0.1	.XX.	±1'

DRAWING TYPE	CUSTOMER
SCALE	SHEET
1:1	1 OF 1

DRAWING NO.
4

PROJECTION	TITLE
mm	KF-762DGA-7.62-XXP

UNITS	SHEET SIZE	SERIES
mm	A4	KF-762DGA

科奕科技有限公司