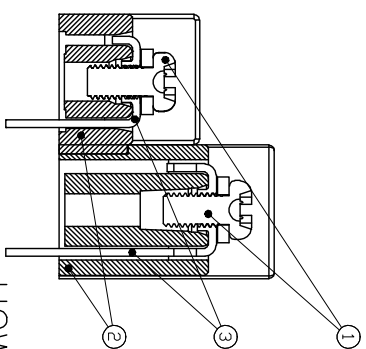
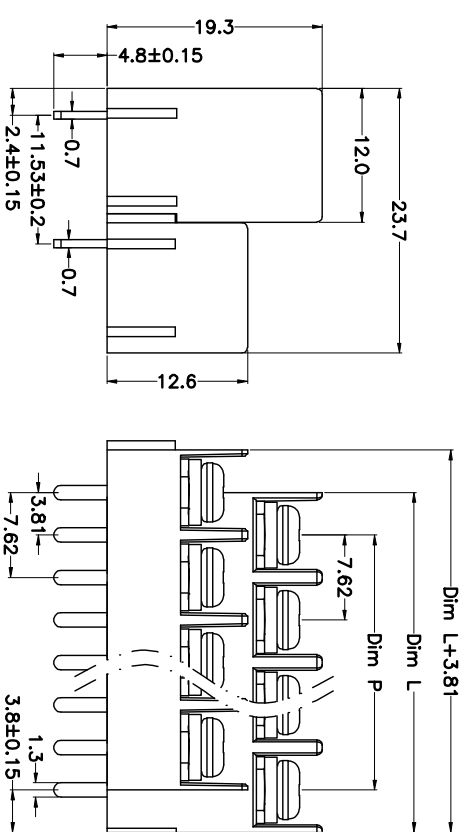
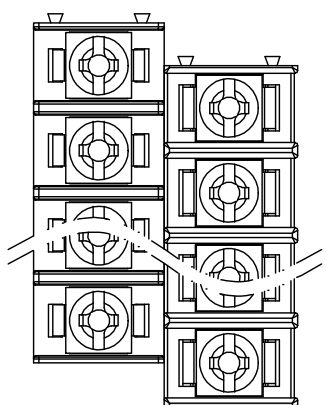


REV.	DESCRIPTION	DATE	DRAWN	APPROVED
A1	DWG.REL	2015.3.12	FANG	YANG



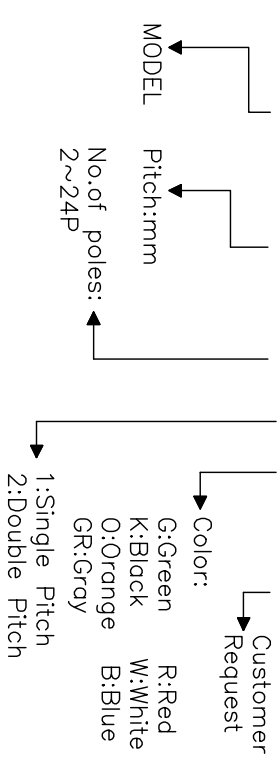
- Material
  - ①Screws : M3 steel, Ni plated
  - ②Housing : PA66,UL94V-0
  - ③Terminal : Brass, Tin plated

- Electrical
  - UL IEC
  - Rated voltage : 300V 450V
  - Rated current : 15A 24A
  - Insulation resistance: 500MΩ/DC500V
  - Withstanding Voltage : AC2000V/1min
  - Wire range: 22-14AWG 2.5mm<sup>2</sup>

- Mechanical
  - Operating temperature: -40°C ~ +105°C
  - Soldering temperature: 250°C ±5 / 5sec
  - Torque: 0.5N.m (4.43lb.in)

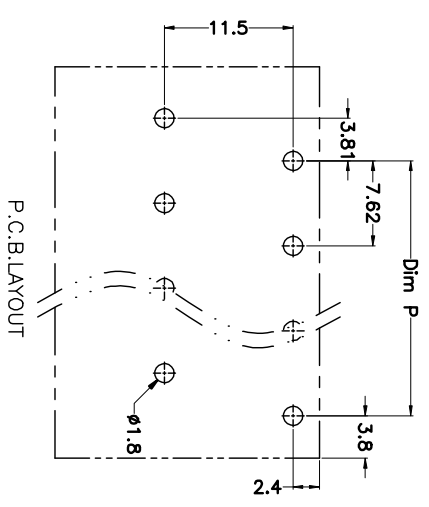
### HOW TO ORDER

KF-762DGB-7.62-XXP-2 X-XXXXXX



N=Number of Poles  
Dim P=(N-1)x7.62  
Dim L=Nx7.62

Poles	Dim P	Dim L
2-6P	±0.10	±0.15
7-12P	±0.20	±0.20
13-18P	±0.25	±0.30
19-24P	±0.30	±0.40



GENERAL TOLERANCE	ANGLE TOLERANCE
X. ±0.5	X. ±5'
.X ±0.3	.X ±3'
.XX ±0.1	.XX ±1'

DRAWING TYPE	CUSTOMER
SCALE	SHEET
1:1	1 OF 1

PROJECTION	TITLE
mm	KF-762DGB-7.62-XXP
SHEET SIZE	SERIES
A4	KF-762DGB

# 科奕科技有限公司