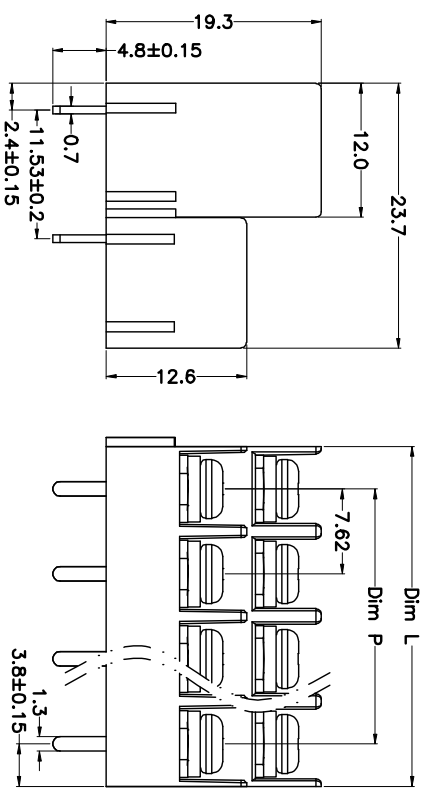
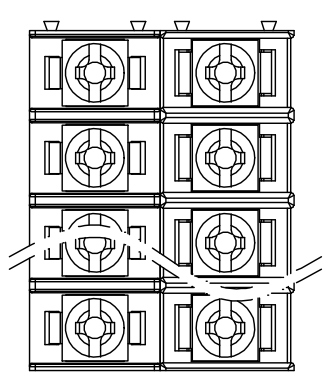
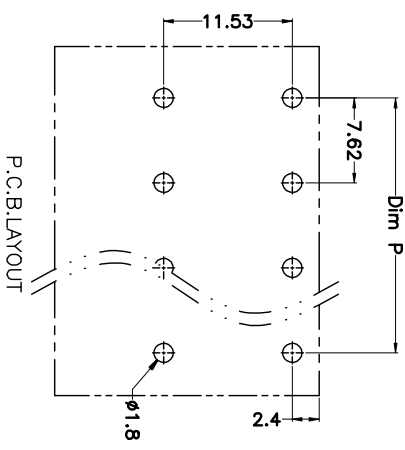


REV.	DESCRIPTION	DATE	DRAWN	APPROVED
A1	DWG.REL	2015.3.12	FANG	YANG



N=Number of Poles
 Dim P=(N-1)x7.62
 Dim L=Nx7.62

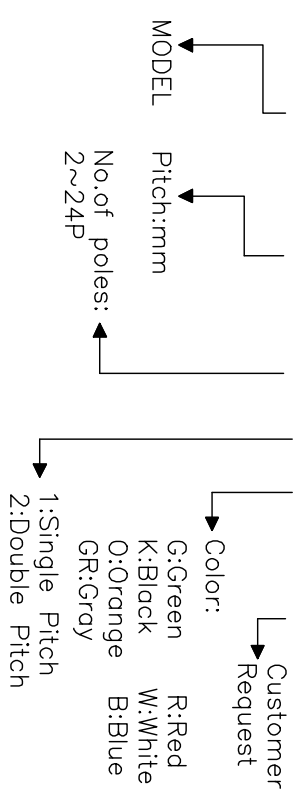
Poles	Dim P	Dim L
2-6P	±0.10	±0.15
7-12P	±0.20	±0.20
13-18P	±0.25	±0.30
19-24P	±0.30	±0.40



- Material
 - ØScrews : M3 steel, Ni plated
 - ØHousing : PA66,UL94V-0
 - ØTerminal : Brass, 0.7t Tin plated
- Electrical
 - UL IEC
 - Rated voltage : 300V 450V
 - Rated current : 15A 24A
 - Insulation resistance: 500MΩ/DC500V
 - Withstanding Voltage : AC2000V/1min
 - Wire range: 22-14AWG 2.5mm²
- Mechanical
 - Operating temperature:-40°C~+105°C
 - Soldering temperature:250°C±5/5sec
 - Torque: 0.5N.m (4.43lb.in)

HOW TO ORDER

KF-762DGC-7.62-XXP-2 X-XXXXX



GENERAL TOLERANCE	ANGLE TOLERANCE
X: ±0.5	X: ±5'
.X: ±0.3	.X: ±3'
.XX: ±0.1	.XX: ±1'

DRAWING TYPE	CUSTOMER
SCALE	SHEET
1:1	1 OF 1

DRAWING NO.

PROJECTION	TITLE
UNITS	KF-762DGC-7.62-XXP
SHEET SIZE	SERIES KF-762DGC

科奕科技有限公司