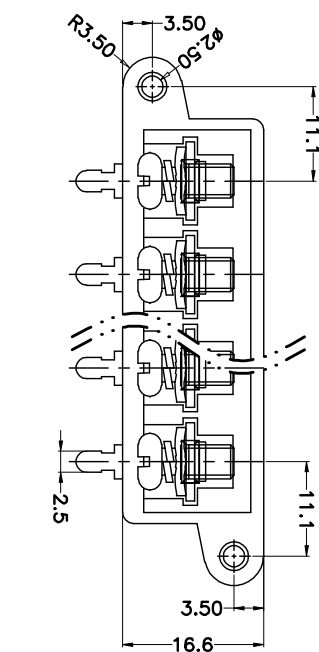


REV.	DESCRIPTION	DATE	DRAWN	APPROVED
A1	DWG.REL	2015.3.12	FANG	YANG

- Material
 - ØScrews : M4.0 steel, Ni plated
 - ØTerminal : Brass, Gold plated
 - ØHousing : PA66,UL94V-0

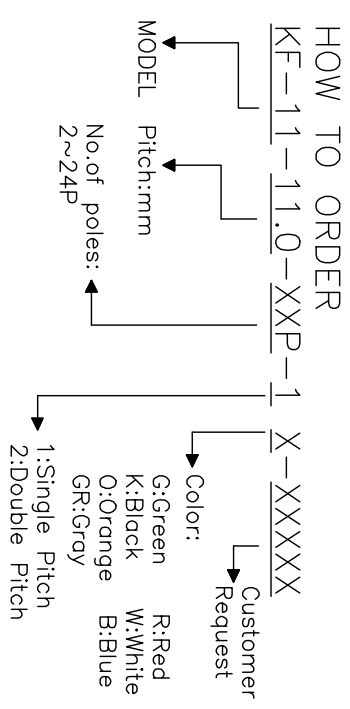
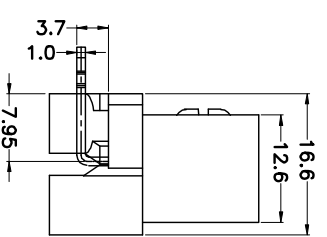
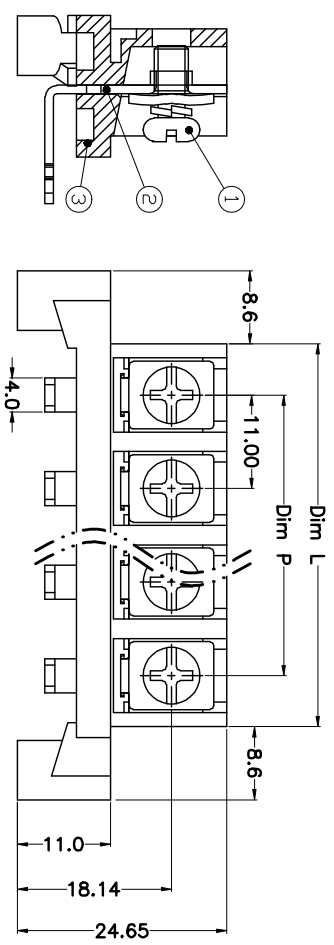
- Electrical
 - UL IEC
 - Rated voltage : 300V 250V
 - Rated current : 30A 41A
 - Insulation resistance: 500MΩ/DC500V
 - Withstanding Voltage : AC2000V/1min
 - Wire range: 22-10AWG 6.0mm²

- Mechanical
 - Operating temperature: -40°C ~ +105°C
 - Soldering temperature: 250°C ± 5 / 5sec
 - Torque: 1.2N.m (10.53Lb.in)



N=Number of Poles
 Dim P=(N-1)×11.0
 Dim L=N×11.0+1

Poles	Dim P	Dim P	Dim L
2-6P	±0.10	±0.15	±0.20
7-12P	±0.20	±0.20	±0.30
13-18P	±0.25	±0.30	±0.30
19-24P	±0.30	±0.40	±0.40



GENERAL TOLERANCE		ANGLE TOLERANCE		PROJECTION	TITLE
X.	±0.5	X.	±5'	⊕	KF-11-11.00-XXP
.X	±0.3	.X.	±3'	mm	
.XX	±0.1	.XX.	±1'	A4	SERIES KF-11
DRAWING TYPE CUSTOMER		SCALE		SHEET SIZE	
1:1		1:1		A4	
DRAWING NO.		SHEET		SHEET SIZE	
		1 OF 1		A4	

科奕科技有限公司