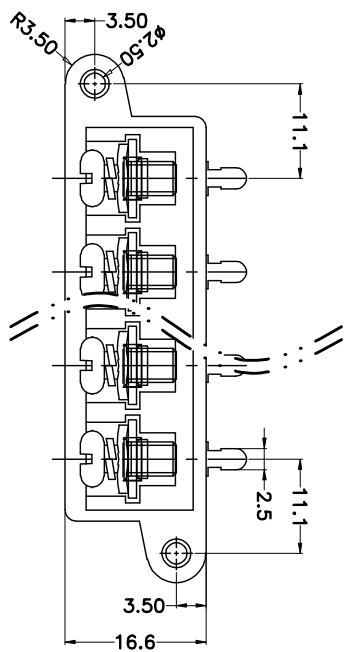


| REV. | DESCRIPTION | DATE | DRAWN | APPROVED |
|------|-------------|-----------|-------|----------|
| A1 | DWG.REL | 2015.3.12 | FANG | YANG |

- Material
 - ①Screws : M4.0 steel, Ni plated
 - ②Terminal : Brass, Gold plated
 - ③Housing : PA66,UL94V-0

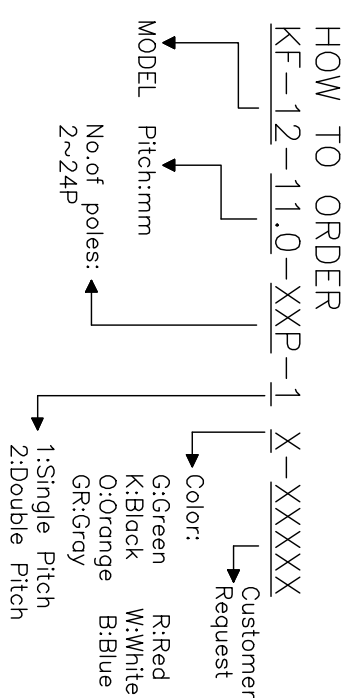
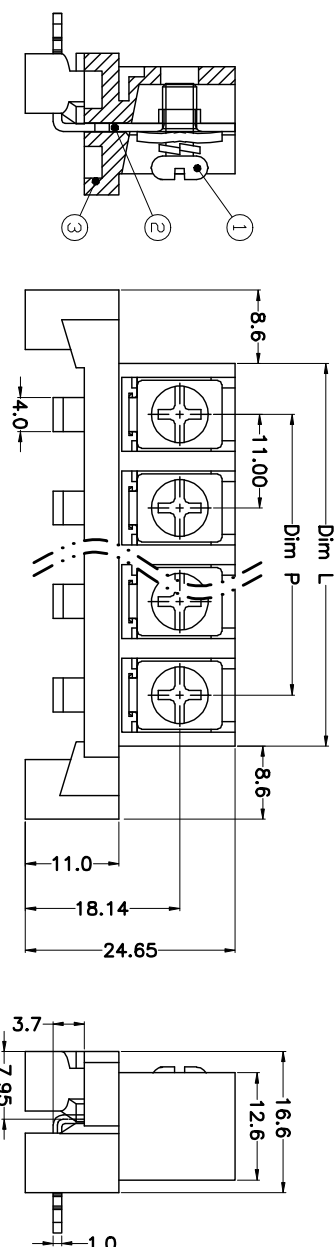
- Electrical
 - UL IEC
 - Rated voltage : 300V 250V
 - Rated current : 30A 41A
 - Insulation resistance: 500MΩ/DC500V
 - Withstanding Voltage : AC2000V/1min
 - Wire range: 22-10AWG 6.0mm²

- Mechanical
 - Operating temperature: -40°C to +105°C
 - Soldering temperature: 250°C ± 5 / 5sec
 - Torque: 1.2N.m (10.53Lb.in)



N=Number of Poles
Dim P=(N-1)x11.0
Dim L=Nx11.0+1

| Poles | Dim P | Dim L |
|--------|-------|-------|
| 2-6P | ±0.10 | ±0.15 |
| 7-12P | ±0.20 | ±0.20 |
| 13-18P | ±0.25 | ±0.30 |
| 19-24P | ±0.30 | ±0.40 |



| GENERAL TOLERANCE | | ANGLE TOLERANCE | | PROJECTION | TITLE |
|-------------------|------|-----------------|-----|------------|-----------------|
| X. | ±0.5 | X. | ±5' | ⊕ | KF-12-11.00-XXP |
| .X | ±0.3 | .X. | ±3' | mm | |
| .XX | ±0.1 | .XX. | ±1' | A4 | SERIES KF-12 |

| DRAWING TYPE | CUSTOMER | SHEET | 1 OF 1 |
|--------------|----------|-------|--------|
| SCALE | 1:1 | SHEET | 1 OF 1 |
| DRAWING NO. | | | |

科奕科技有限公司