

REV.	DESCRIPTION	DATE	DRAWN	APPROVED
A1	DWG.REL	2015.3.12	FANG	YANG

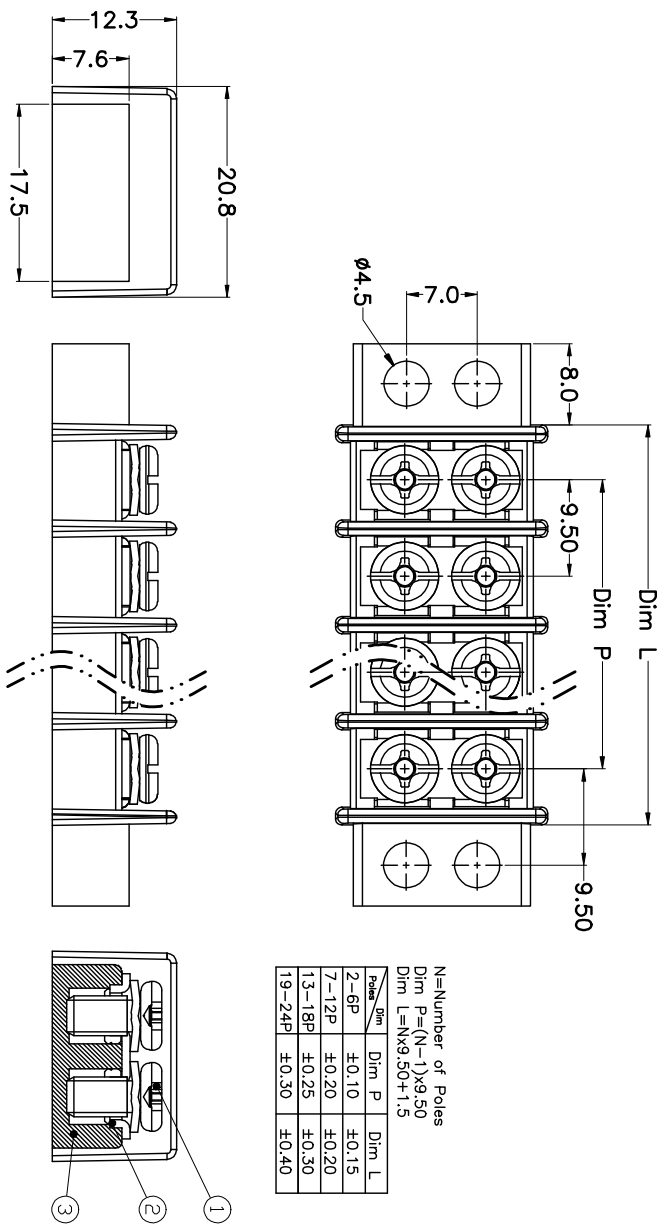
- Material
 - ØScrews : M3.0 steel, Ni plated
 - ØTerminal : Brass, Ni plated
 - ØHousing : PA66,UL94V-0

- Electrical
 - UL IEC
 - Rated voltage : 300V 250V
 - Rated current : 30A 41A
 - Insulation resistance: 500MΩ/DC500V
 - Withstanding Voltage : AC2000V/1min
 - Wire range: 22-12AWG 4.0mm²

- Mechanical
 - Operating temperature: -40°C to +105°C
 - Soldering temperature: 250°C±5/5sec
 - Torque: 0.5N.m (4.43lb.in)

N=Number of Poles
 Dim P=(N-1)X9.50
 Dim L=NX9.50+1.5

Poles	Dim P	Dim P	Dim L
2-6P	±0.10	±0.15	±0.15
7-12P	±0.20	±0.20	±0.20
13-18P	±0.25	±0.30	±0.30
19-24P	±0.30	±0.40	±0.40



GENERAL TOLERANCE		ANGLE TOLERANCE	
X.	±0.5	X.	±5'
X	±0.3	X'	±3'
.XX	±0.1	.XX'	±1'

DRAWING TYPE	CUSTOMER	SHEET	1 OF 1
SCALE	1:1		
DRAWING NO.			

HOW TO ORDER
 KF-14-9.5-XXP-2 X-XXXXXX

MODEL Pitch:mm
 No.of poles:
 2~24P

Color:
 G:Green
 K:Black
 O:Orange
 GR:Gray
 R:Red
 W:White
 B:Blue

Customer Request
 1:Single Pitch
 2:Double Pitch

PROJECTION	TITLE
UNITS mm	KF-14-9.5-XXP
SHEET SIZE A4	SERIES KF-14

科奕科技有限公司