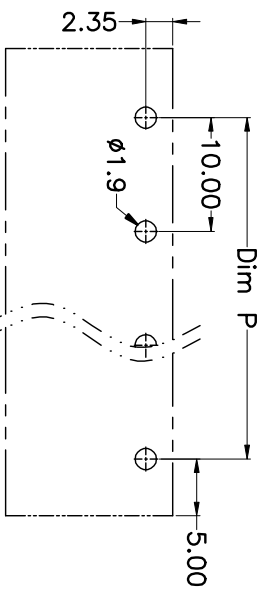
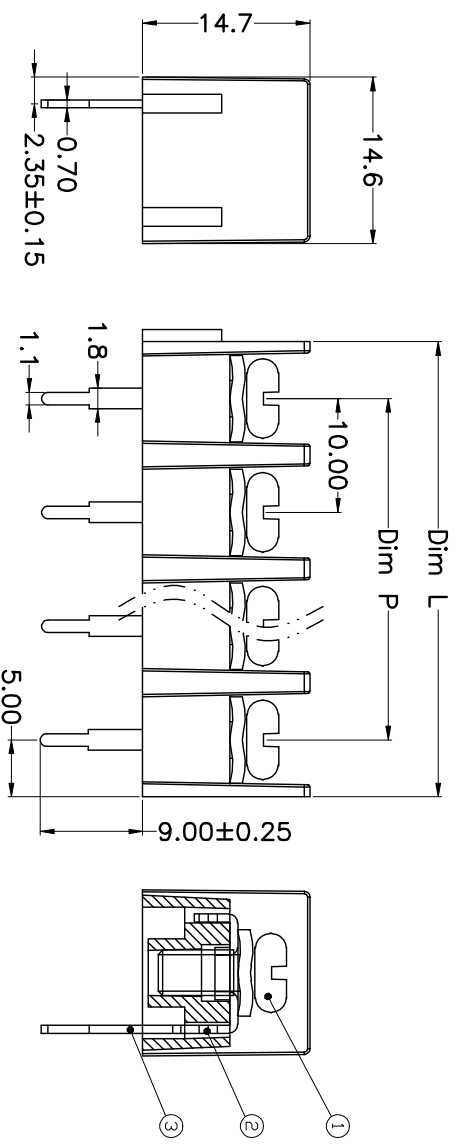
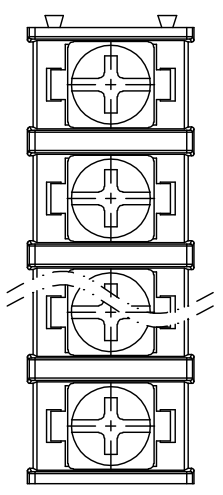


REV.	DESCRIPTION	DATE	DRAWN	APPROVED
A1	DWG.REL	2015.3.12	FANG	YANG

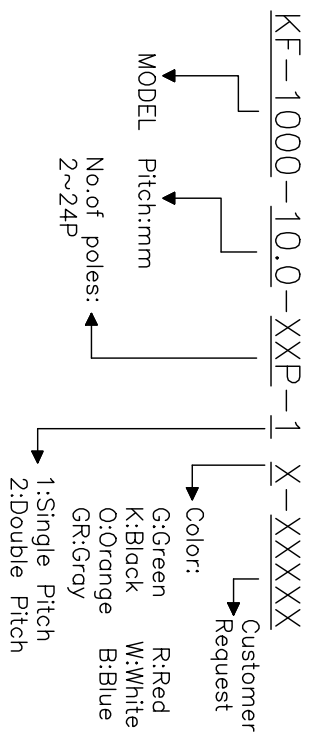


N=Number of Poles  
 Dim P=(N-1)x10.00  
 Dim L=Nx10.00

Poles	Dim P	Dim L
2-6P	±0.10	±0.15
7-12P	±0.20	±0.20
13-18P	±0.25	±0.30
19-24P	±0.30	±0.40

- Material
  - ØScrews : M4.0 steel, Ni plated
  - ØTerminal : Brass, Tin plated
  - ØHousing : PA66,UL94V-0
- Electrical
  - UL IEC
  - Rated voltage : 300V 750V
  - Rated current : 25A 32A
  - Insulation resistance: 500MΩ/DC500V
  - Withstanding Voltage : AC2000V/1min
  - Wire range: 22-12AWG 4.0mm<sup>2</sup>
- Mechanical
  - Operating temperature:-40°C~+105°C
  - Soldering temperature:250°C±5/5sec
  - Torque: 1.2N.m (10.53Lb.in)

### HOW TO ORDER



GENERAL TOLERANCE	ANGLE TOLERANCE	DRAWING TYPE		
X. ±0.5	X. ±5'	CUSTOMER	SHEET	1 OF 1
X. ±0.3	X. ±3'	SCALE	1:1	
.XX ±0.1	.XX ±1'	DRAWING NO.		

PROJECTION	TITLE
mm	KF-1000-10.0-XXP
SHEET SIZE	SERIES
A4	KF-1000

# 科奕科技有限公司