

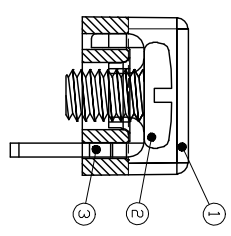
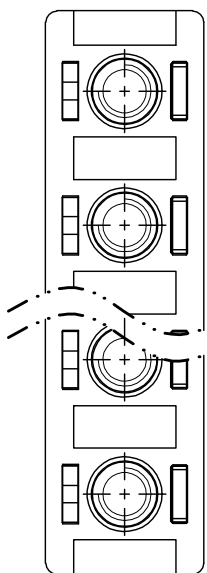
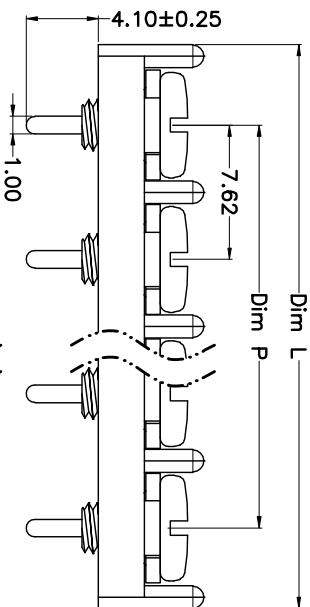
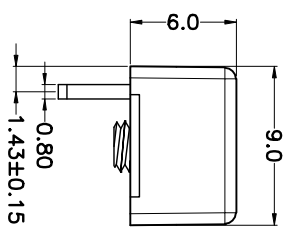
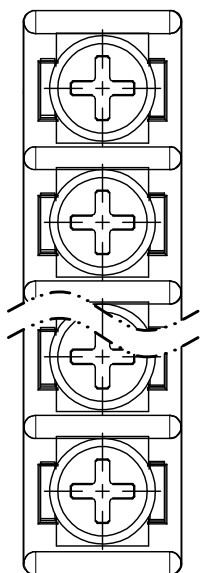
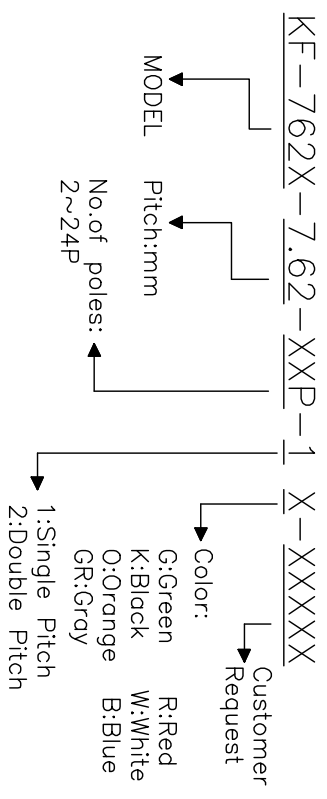
REV.	DESCRIPTION	DATE	DRAWN	APPROVED
A1	DWG.REL	2015.3.12	FANG	YANG

- Material
 - ØHousing : PA66,UL94V-0
 - ØScrews : M3 steel, Ni plated
 - ØTerminal : Brass, Tin plated

- Electrical
 - UL IEC
 - Rated voltage : 300V 250V
 - Rated current : 10A 17.5A
 - Insulation resistance: 500MΩ/DC500V
 - Withstanding Voltage : AC2000V/1min
 - Wire range: 22-16AWG 1.5mm²

- Mechanical
 - Operating temperature: -40°C^{min}+105°C
 - Soldering temperature:250°C±5/5sec
 - Torque: 0.5N.m (4.43lb.in)

HOW TO ORDER



N=Number of Poles
Dim P=(N-1)X7.62
Dim L=Nx7.62+1.5

Poles	Dim P	Dim L
2-6P	±0.10	±0.15
7-12P	±0.20	±0.20
13-18P	±0.25	±0.30
19-24P	±0.30	±0.40

GENERAL TOLERANCE	ANGLE TOLERANCE
X: ±0.5	X: ±5'
.X: ±0.3	.X: ±3'
.XX: ±0.1	.XX: ±1'

DRAWING TYPE	CUSTOMER
SCALE	1:1
SHEET	1 OF 1
DRAWING NO.	

PROJECTION	TITLE
UNITS	KF-762X-7.62-XXP
SHEET SIZE	SERIES KF-762X

科奕科技有限公司