

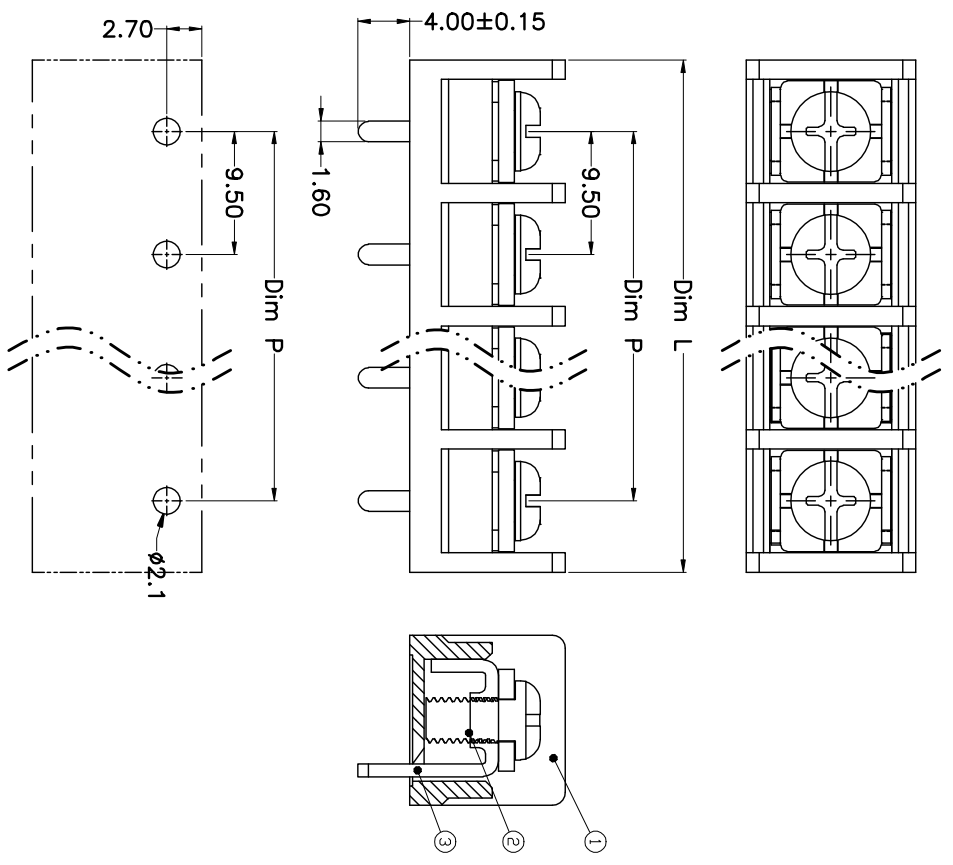
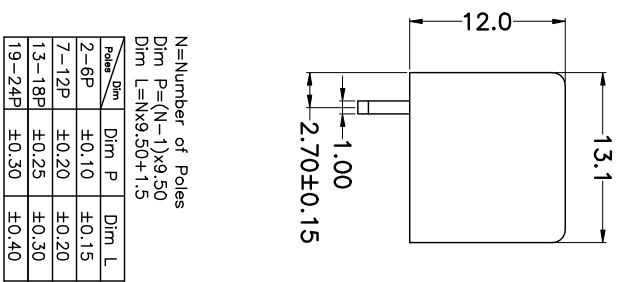
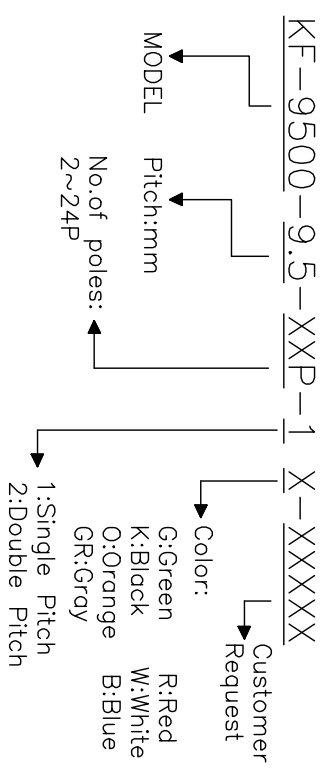
| REV. | DESCRIPTION | DATE | DRAWN | APPROVED |
|------|-------------|-----------|-------|----------|
| A1 | DWG.REL | 2015.3.12 | FANG | YANG |

- Material
 - ØHousing : PA66,UL94V-0
 - ØScrews : M3 steel, Ni plated
 - ØTerminal : Brass, Tin plated

- Electrical
 - UL IEC
 - Rated voltage : 300V 750V
 - Rated current : 25A 32A
 - Insulation resistance: 500MΩ/DC500V
 - Withstanding Voltage : AC2000V/1min
 - Wire range: 22-12AWG 4.0mm²

- Mechanical
 - Operating temperature: -40°C~+105°C
 - Soldering temperature:250°C±5/5sec
 - Torque: 0.5N.m (4.43lb.in)

HOW TO ORDER



P.C.B.LAYUOT

N=Number of Poles
Dim P=(N-1)X9.50
Dim L=Nx9.50+1.5

| Poles | Dim P | Dim L |
|--------|-------|-------|
| 2-6P | ±0.10 | ±0.15 |
| 7-12P | ±0.20 | ±0.20 |
| 13-18P | ±0.25 | ±0.30 |
| 19-24P | ±0.30 | ±0.40 |

| GENERAL TOLERANCE | | ANGLE TOLERANCE | |
|-------------------|------|-----------------|-----|
| X. | ±0.5 | X. | ±5' |
| .X | ±0.3 | .X. | ±3' |
| .XX | ±0.1 | .XX. | ±1' |

| DRAWING TYPE | CUSTOMER |
|--------------|--------------|
| SCALE | 1:1 |
| DRAWING NO. | SHEET 1 OF 1 |

| PROJECTION | TITLE |
|----------------|-----------------|
| UNITS: mm | KF-9500-9.5-XXP |
| SHEET SIZE: A4 | SERIES: KF-9500 |

科奕科技有限公司