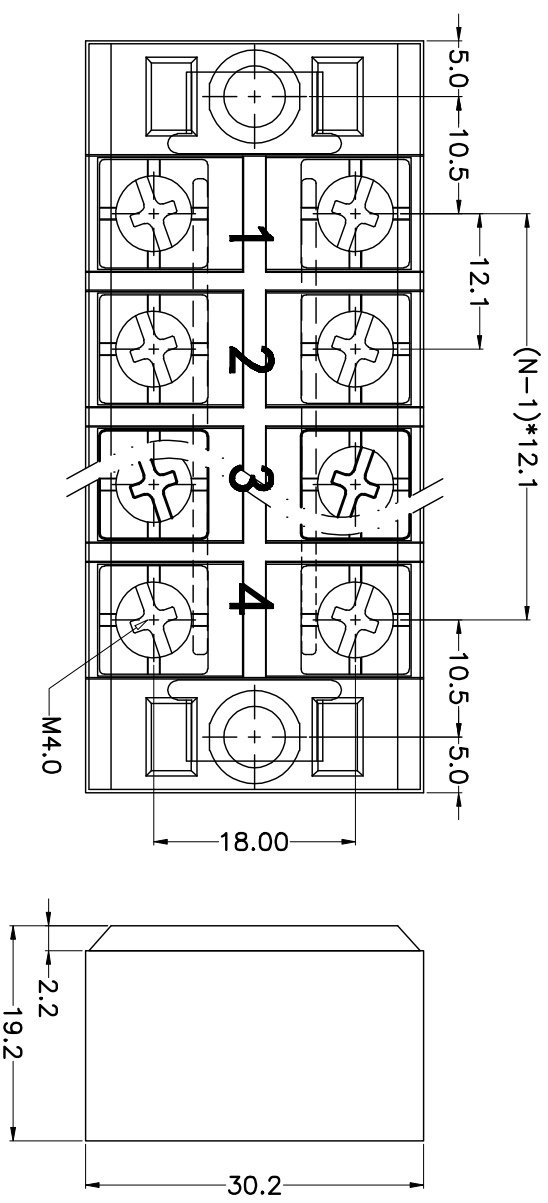
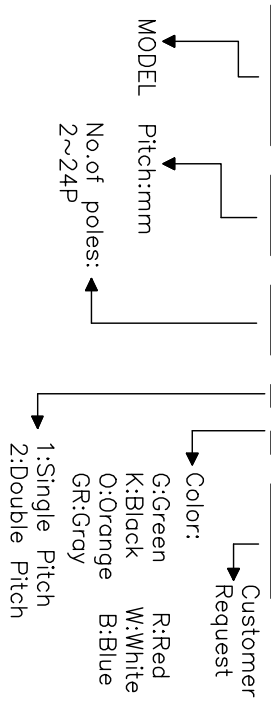


REV.	DESCRIPTION	DATE	DRAWN	APPROVED
A1	DWG.REL	2015.3.12	FANG	YANG

- Material
 - @Housing : PA66, UL94V-0
 - @Screws : M4 steel, Ni plated
 - @Terminal: brass, Nickel plating
 - @Cover : PC
- Electrical
 - UL IEC
 - Rated voltage : 300V 450V
 - Rated current : 25A 32A
 - Insulation resistance: 500MΩ/DC500V
 - Withstanding Voltage : AC2000V/1min
 - Wire range: 22-12AWG 4.0mm²
- Mechanical
 - Operating temperature: -40°C ~ +105°C
 - Soldering temperature: 250°C ±5/5sec
 - Torque: 1.2N.m (10.53lb.in)

HOW TO ORDER

TB-350-12.1-XXP-1 X-XXXXX



N=Number of Poles
Dim P=(N-1)x12.10

Poles	Dim	Dim P	Dim L
2-6P		±0.10	±0.15
8,10,12P		±0.20	±0.20

GENERAL TOLERANCE

ANGLE TOLERANCE	±5'	±3'	±1'
X.	±0.5	X.	±5'
.X	±0.3	X.	±3'
.XX	±0.1	.XX	±1'

DRAWING TYPE	CUSTOMER	SHEET	1 OF 1
SCALE	1:1	SHEET	1 OF 1
DRAWING NO.			

PROJECTION

UNITS	mm	TITLE	TB-350-12.1-XXP
SHEET SIZE	A4	SERIES	TB-350

科奕科技有限公司