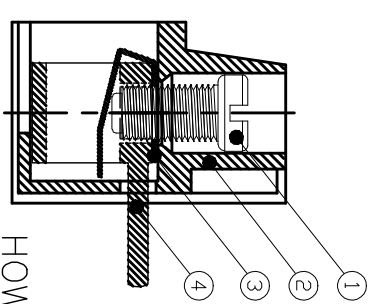
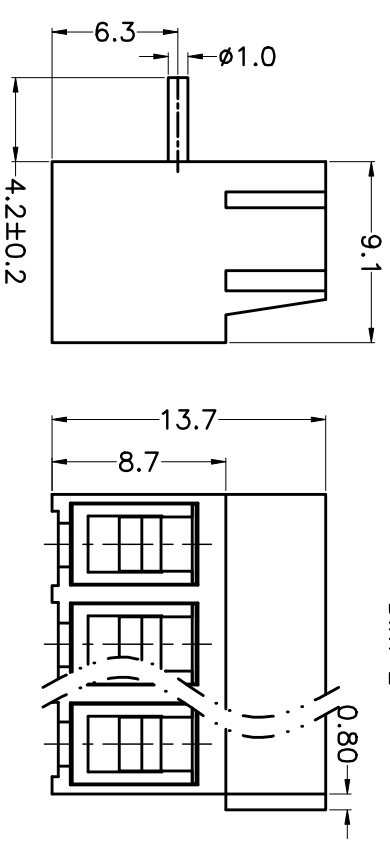
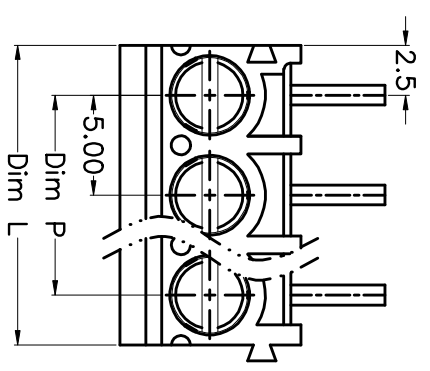


REV.	DESCRIPTION	DATE	DRAWN	APPROVED
A1	DWG.REL	2015.3.12	FANG	YANG



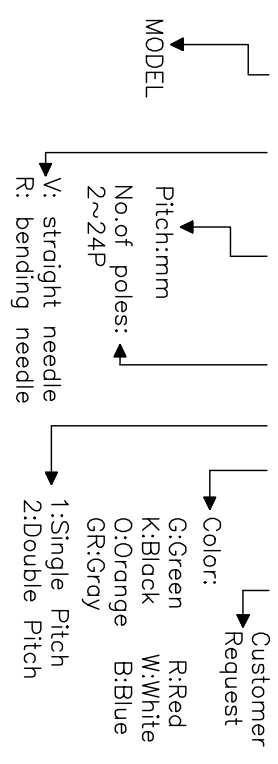
- Material
 ①Screws : M3.0 steel, Zinc plated,
 “-” slot type
 ②Housing : PA66, UL94V-0
 ③Reed : Phosphor bronze, Ni plated
 or stainless steel
 ④Pin header : Brass, Tin plated

- Electrical
 UL IEC
 Rated voltage : 300V 250V
 Rated current : 12A 25A
 Insulation resistance: 500MΩ/DC500V
 Withstanding Voltage : AC2000V/1min
 Wire range: 22-14AWG 2.5mm²

- Mechanical
 Operating temperature: -40℃~+105℃
 Soldering temperature: 250℃±5/5sec
 Torque: 0.5N.m (4.43lb.in)
 Strip length: 4.5-5mm

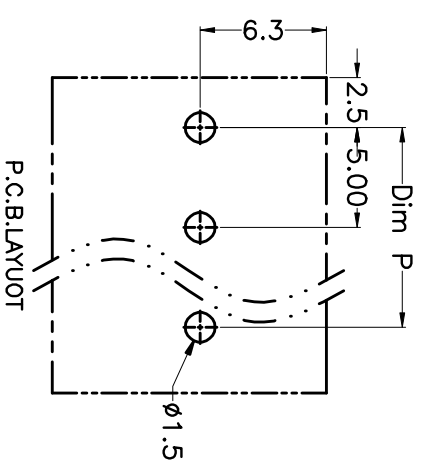
HOW TO ORDER

KF306 R -5.0-XXP-1 X-XXXXXX



N=Number of Poles
 Dim P=(N-1)x5.00
 Dim L=Nx5.00

Poles	Dim P	Dim L
2-6P	±0.10	±0.15
7-12P	±0.20	±0.20
13-18P	±0.25	±0.30
19-24P	±0.30	±0.40



GENERAL TOLERANCE ANGLE TOLERANCE

X	±0.5	X	±5°
X	±0.3	X	±3°
.XX	±0.1	.XX	±1°

DRAWING TYPE	CUSTOMER
SCALE	1:1
DRAWING NO.	SHEET 1 OF 1

PROJECTION	TITLE
UNITS	KF306R-5.0-XXP
SHEET SIZE	A4
SERIES	KF306R

科奕科技有限公司