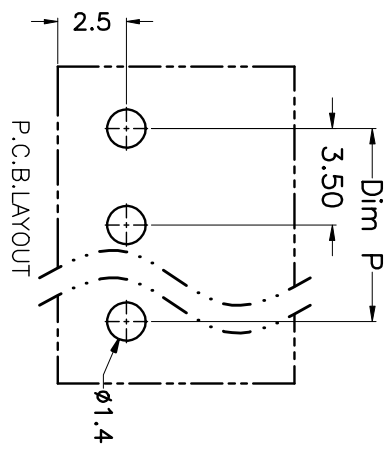
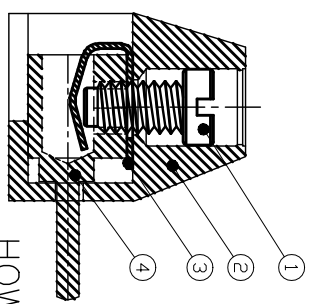
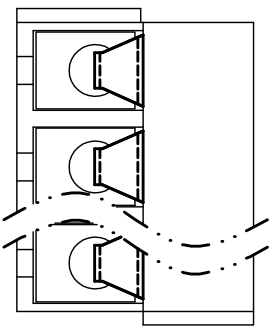
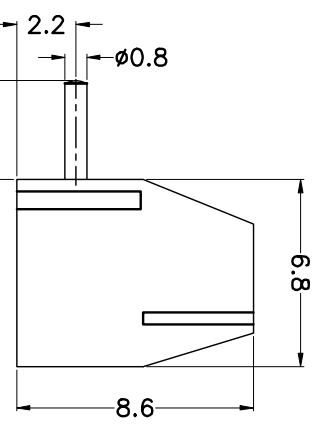
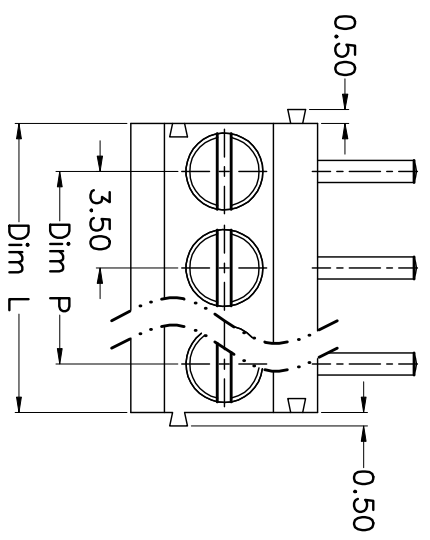


REV.	DESCRIPTION	DATE	DRAWN	APPROVED
A1	DWG.REL	2015.3.12	FANG	YANG



N=Number of Poles  
 Dim P=(N-1)x3.50  
 Dim L=Nx3.50

Poles	Dim P	Dim L
2-6P	±0.10	±0.15
7-12P	±0.20	±0.20
13-18P	±0.25	±0.30
19-24P	±0.30	±0.40

GENERAL TOLERANCE	ANGLE TOLERANCE	TOLERANCE
X: ±0.5	X: .5°	±5'
X: ±0.3	X: .3°	±3'
.XX: ±0.1	.XX'	±1'

DRAWING TYPE	CUSTOMER	SHEET	OF
SCALE	1:1	1	1
DRAWING NO.			

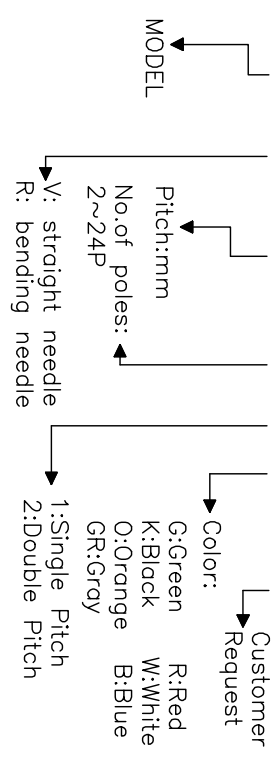
- Material
  - ⊙Screws : M2.0 steel, Zinc plated,
  - “\_” slot type
  - ⊙Housing : PA66, UL94V-0
  - ⊙Reed : Phosphor bronze, Ni plated or stainless steel
  - ⊙Pin header : Brass, Tin plated

- Electrical
  - UL IEC
  - Rated voltage : 300V 130V
  - Rated current : 7A 10A
  - Insulation resistance: 500MΩ/DC500V
  - Withstanding Voltage : AC1250V/1min
  - Wire range: 24-18AWG 1.0mm<sup>2</sup>

- Mechanical
  - Operating temperature: -40°C ~ +105°C
  - Soldering temperature: 250°C ±5 / 5sec
  - Torque: 0.2N.m (1.77Lb.in)
  - Strip length: 5-6m

HOW TO ORDER

KF350 R - 3.5 - XXP - 1 X - XXXXX



PROJECTION	TITLE
UNITS mm	KF350R-3.5-XXP
SHEET SIZE A4	SERIES KF350R

科奕科技有限公司