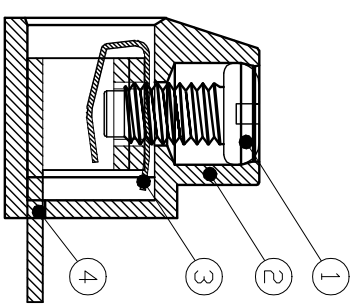
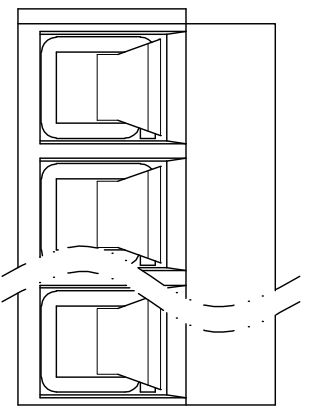
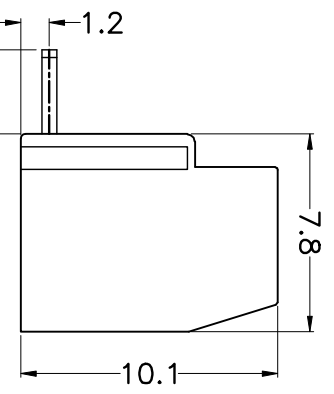
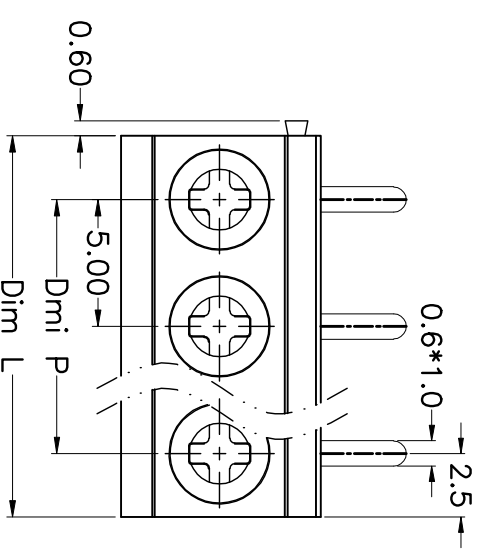
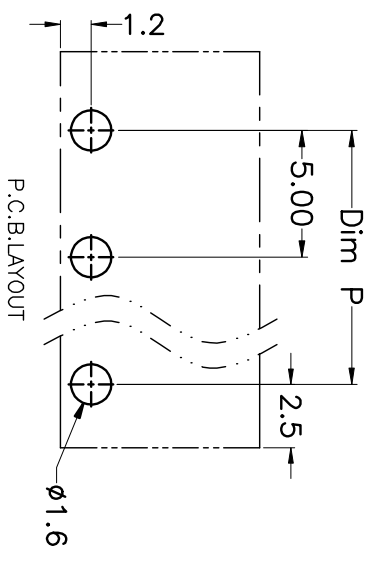


REV.	DESCRIPTION	DATE	DRAWN	APPROVED
A1	DWG.REL	2015.3.12	FANG	YANG



N=Number of Poles
Dim P=(N-1)x5.00
Dim L=Nx5.00

Poles	Dim P	Dim P	Dim L
2-6P	±0.10	±0.15	±0.15
7-12P	±0.20	±0.20	±0.20
13-18P	±0.25	±0.30	±0.30
19-24P	±0.30	±0.40	±0.40



GENERAL TOLERANCE		ANGLE TOLERANCE	
X	±0.5	X	±5°
.X	±0.3	.X	±3°
.XX	±0.1	.XX	±1°

DRAWING TYPE	CUSTOMER
SCALE	1:1
DRAWING NO.	SHEET 1 OF 1

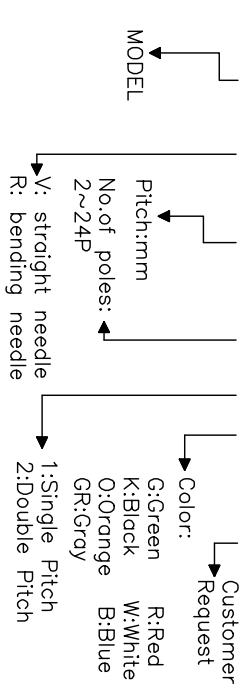
- Material
 @Screws : M2.5 steel, Zinc plated,
 “-/+” slot type
 @Housing : PA66, UL94V-0
 @Reed : Phosphor bronze, Ni plated
 or stainless steel
 @Pin header : Brass, Tin plated

- Electrical UL IEC
 Rated voltage : 300V 250V
 Rated current : 10A 18A
 Insulation resistance: 500MΩ/DC500V
 Withstanding Voltage : AC2000V/1min
 Wire range: 20-14AWG 2.5mm²

- Mechanical
 Operating temperature: -40°C to +105°C
 Soldering temperature: 250°C ±5/5sec
 Torque: 0.4N.m (3.54Lb.in)
 Strip length: 6-7mm

HOW TO ORDER

KF126 R -5.0-XXXP-1 X-XXXXXX



PROJECTION	TITLE
UNITS mm	KF126R-5.0-XXXP
SHEET SIZE A4	SERIES KF126R

科奕科技有限公司