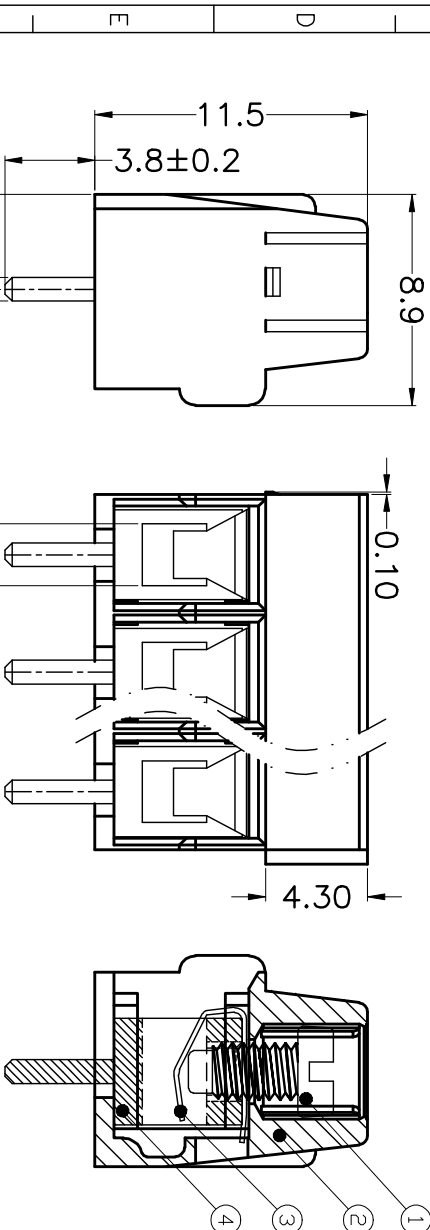
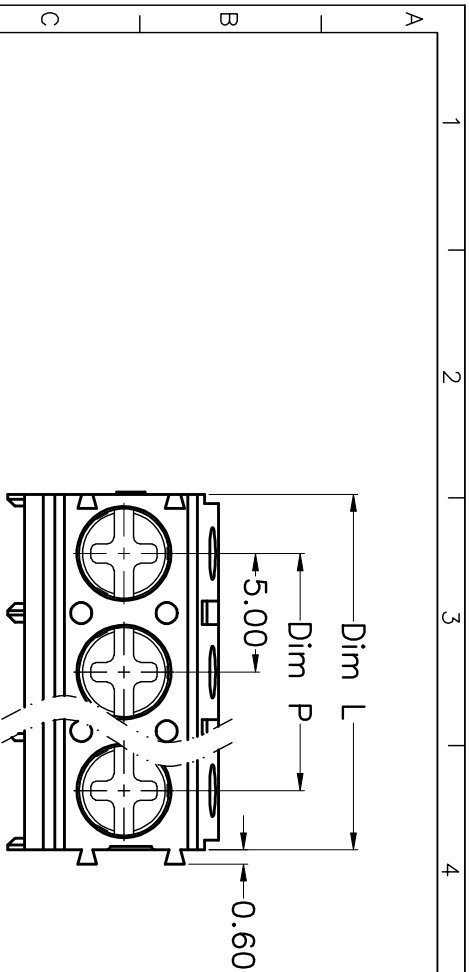
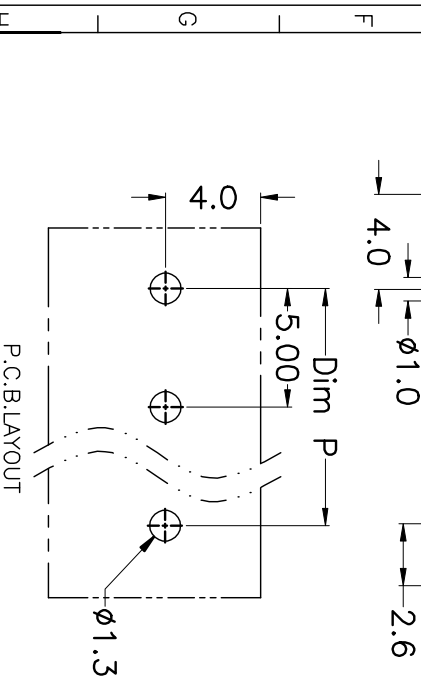


REV.	DESCRIPTION	DATE	DRAWN	APPROVED
A1	DWG.REL	2015.3.12	FANG	YANG



N=Number of Poles
 Dim P=(N-1)x5.00
 Dim L=Nx5.00

Poles	Dim	Dim P	Dim L
2-6P	±0.10	±0.15	
7-12P	±0.20	±0.20	
13-18P	±0.25	±0.30	
19-24P	±0.30	±0.40	



GENERAL TOLERANCE		ANGLE TOLERANCE	
X	±0.5	X	±5°
X	±0.3	X	±3°
XX	±0.1	XX	±1°

DRAWING TYPE	CUSTOMER	SHEET	1 OF 1
SCALE	1:1		
DRAWING NO.			

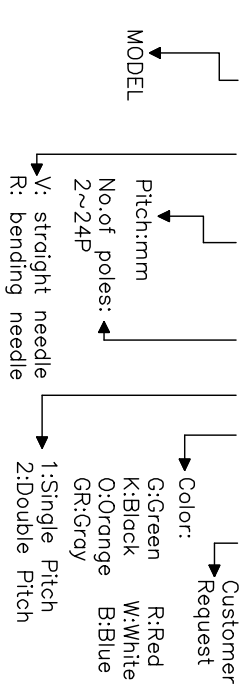
- Material
 - ①Screws : M2.5 steel, Zinc plated,
 - ②-/+ slot type
 - ③Housing : PA66, UL94V-0
 - ④Reed : Phosphor bronze, Ni plated or stainless steel
 - ⑤Pin header : Brass, Tin plated

- Electrical UL IEC
 - Rated voltage : 300V 250V
 - Rated current : 15A 24A
 - Insulation resistance: 500MΩ/DC500V
 - Withstanding Voltage : AC2000V/1min
 - Wire range: 24-14AWG 2.5mm²

- Mechanical
 - Operating temperature: -40°C to +105°C
 - Soldering temperature: 250°C ±5/5sec
 - Torque: 0.4N.m (3.54Lb.in)
 - Strip length: 5-6mm

HOW TO ORDER

KF170 V -5.0-XXP-1 X-XXXXX



PROJECTION	TITLE
mm	KF170V-5.0-XXP
SHEET SIZE	SERIES KF170V

科奕科技有限公司