

| REV. | DESCRIPTION | DATE | DRAWN | APPROVED |
|------|-------------|-----------|-------|----------|
| A1 | DWG.REL | 2015.3.12 | FANG | YANG |

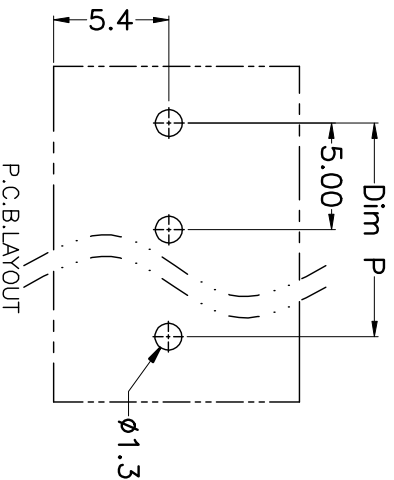
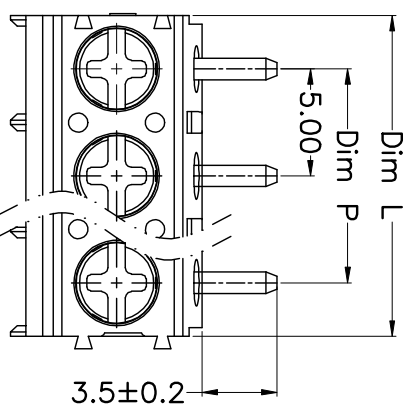
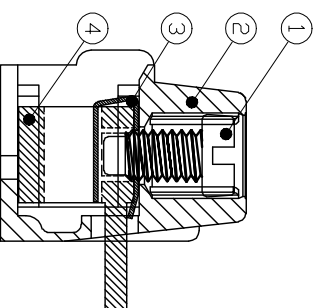
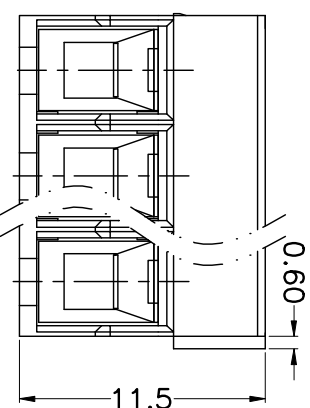
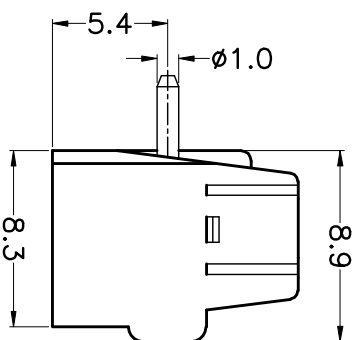
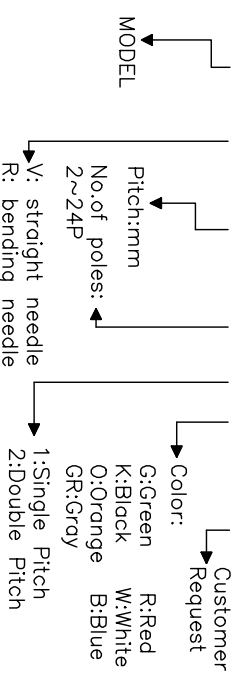
- Material
 - ⊙Screws : M2.5 steel, Zinc plated,
 - “-/+”slot type
 - ⊙Housing : PA66, UL94V-0
 - ⊙Reed : Phosphor bronze, Ni plated or stainless steel
 - ⊙Pin header : Brass, Tin plated

- Electrical
 - UL IEC
 - Rated voltage : 300V 250V
 - Rated current : 15A 24A
 - Insulation resistance: 500MΩ/DC500V
 - Withstanding Voltage : AC2000V/1min
 - Wire range: 24-14AWG 2.5mm²

- Mechanical
 - Operating temperature: -40°C to +105°C
 - Soldering temperature: 250°C ±5/5sec
 - Torque: 0.4N.m (3.54Lb.in)
 - Strip length: 5-6mm

HOW TO ORDER

KF170 R -5.0-XXP-1 X-XXXXX



N=Number of Poles
Dim P=(N-1)x5.00
Dim L=Nx5.00

| Poles | Dim P | Dim L |
|--------|-------|-------|
| 2-6P | ±0.10 | ±0.15 |
| 7-12P | ±0.20 | ±0.20 |
| 13-18P | ±0.25 | ±0.30 |
| 19-24P | ±0.30 | ±0.40 |

| GENERAL TOLERANCE | | ANGLE TOLERANCE | |
|-------------------|------|-----------------|-----|
| X | ±0.5 | X | ±5° |
| .X | ±0.3 | .X | ±3° |
| .XX | ±0.1 | .XX | ±1° |

| DRAWING TYPE | CUSTOMER |
|--------------|--------------|
| SCALE | 1:1 |
| DRAWING NO. | SHEET 1 OF 1 |

| PROJECTION | TITLE |
|------------|----------------|
| UNITS | KF170R-5.0-XXP |
| SHEET SIZE | A4 |
| SERIES | KF170R |

科奕科技有限公司