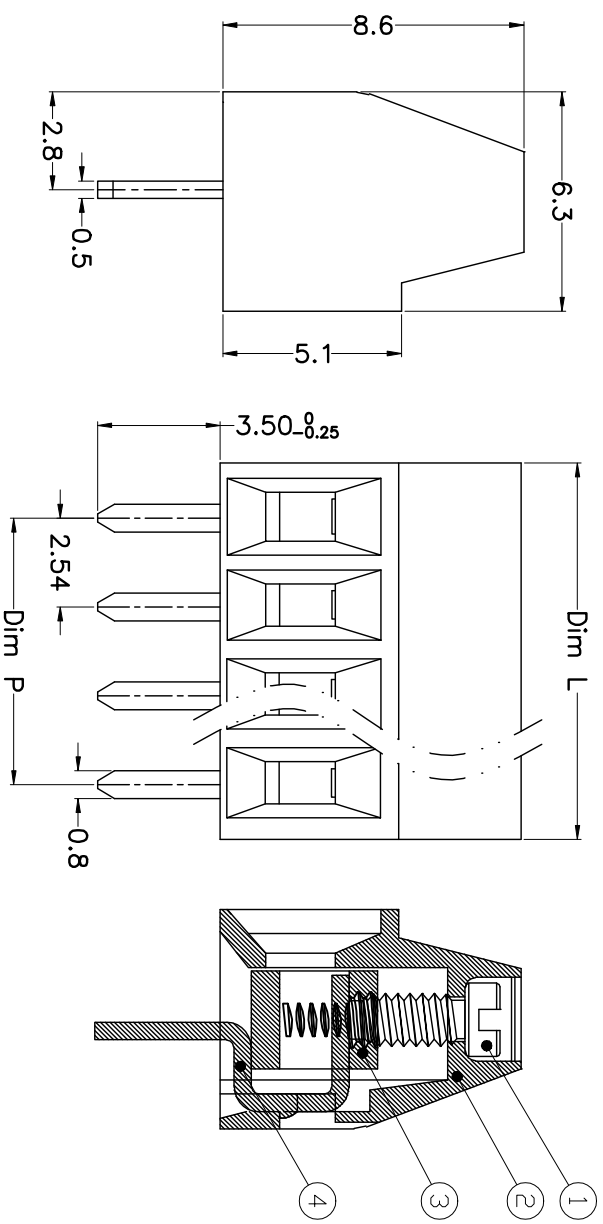


REV.	DESCRIPTION	DATE	DRAWN	APPROVED
A1	DWG.REL	2015.3.12	FANG	YANG



- Material
 - ①Screws : M1.6 steel, Zinc plated, “-” slot type
 - ②Housing : PA66, UL94V-0
 - ③Clamp : Brass, Ni plated
 - ④Pin header : Brass, Tin plated

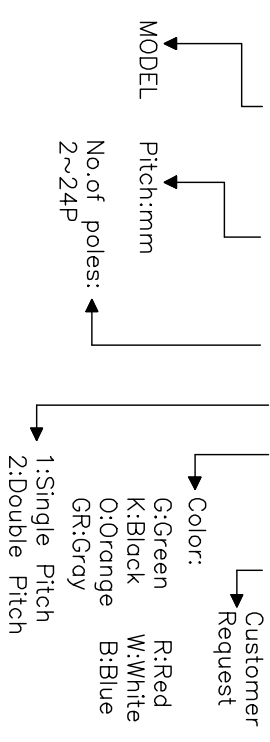
- Electrical

UL	IEC
Rated voltage : 150V	130V
Rated current : 6A	8A
Insulation resistance: 500MΩ/DC500V	
Withstanding Voltage : AC1500V/1min	
Wire range: 26-18AWG	1.0mm ²

- Mechanical
 - Operating temperature: -40°C to +105°C
 - Soldering temperature: 250°C ±5/5sec
 - Torque: 0.1N.m (0.89Lb.in)
 - Strip length: 3.7-4.7mm

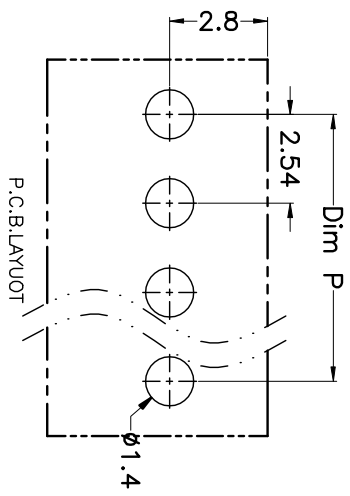
HOW TO ORDER

KF120-2.54-XXP-1 X-XXXXX



N=Number of Poles
Dim P=(N-1)x2.54
Dim L=Nx2.54+0.6

Poles	Dim P	Dim L
2-6P	±0.10	±0.15
7-12P	±0.20	±0.20
13-18P	±0.25	±0.30
19-24P	±0.30	±0.40



GENERAL TOLERANCE	ANGLE TOLERANCE
X. ±0.5	X. ±5'
.X ±0.3	.X ±3'
.XX ±0.1	.XX ±1'

DRAWING TYPE	CUSTOMER SCALE	SHEET	1 OF 1
X	1:1	1	1

PROJECTION	TITLE
mm	KF120-2.54-XXP
UNITS	SHEET SIZE
A4	KF120
SERIES	
KF120	

科奕科技有限公司