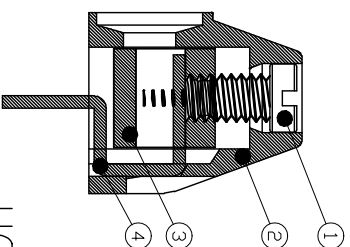
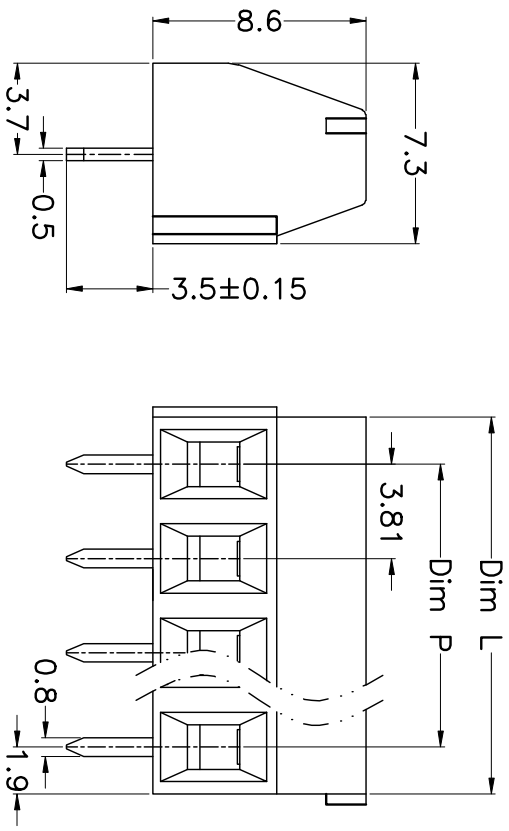
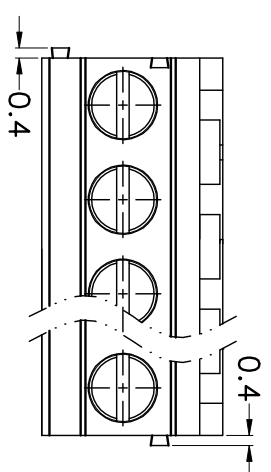


REV.	DESCRIPTION	DATE	DRAWN	APPROVED
A1	DWG.REL	2015.3.12	FANG	YANG



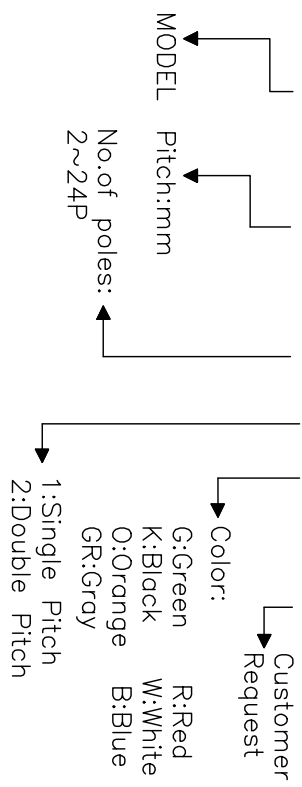
- Material  
 ØScrews : M2.0 steel, Zinc plated,  
 “—” slot type  
 ØHousing : PA66, UL94V-0  
 ØClamp : Brass, Ni plated  
 ØPin header : Brass, Tin plated

- Electrical UL IEC  
 Rated voltage : 150V 130V  
 Rated current : 10A 10A  
 Insulation resistance: 500MΩ/DC500V  
 Withstanding Voltage : AC1500V/1min  
 Wire range: 24-16AWG 1.5mm<sup>2</sup>

- Mechanical  
 Operating temperature: -40°C~+105°C  
 Soldering temperature: 250°C±5/5sec  
 Torque: 0.2N.m (1.77Lb.in)  
 Strip length: 4-5mm

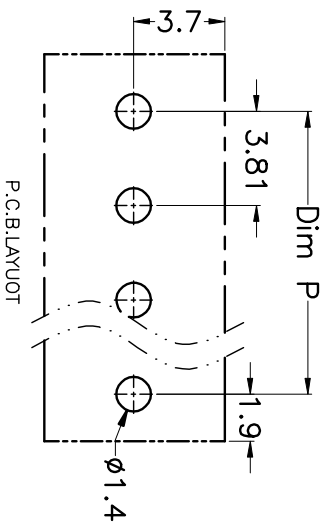
### HOW TO ORDER

KF124-3.81-XXP-1 X-XXXXX



N=Number of Poles  
 Dim P=(N-1)x3.81  
 Dim L=Nx3.81

Poles	Dim P	Dim L
2-6P	±0.10	±0.15
7-12P	±0.20	±0.20
13-18P	±0.25	±0.30
19-24P	±0.30	±0.40



### GENERAL TOLERANCE ANGLE TOLERANCE

X.	±0.5	X.	±5°
.X	±0.3	.X.	±3°
.XX	±0.1	.XX.	±1°

PROJECTION	TITLE
mm	KF124-3.81-XXP
SHEET SIZE	
A4	SERIES KF124

DRAWING TYPE	CUSTOMER
SCALE	1:1
DRAWING NO.	SHEET 1 OF 1

# 科奕科技有限公司