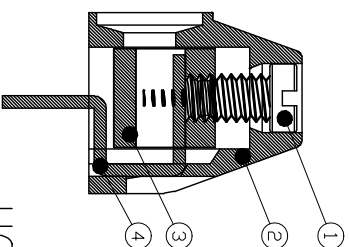
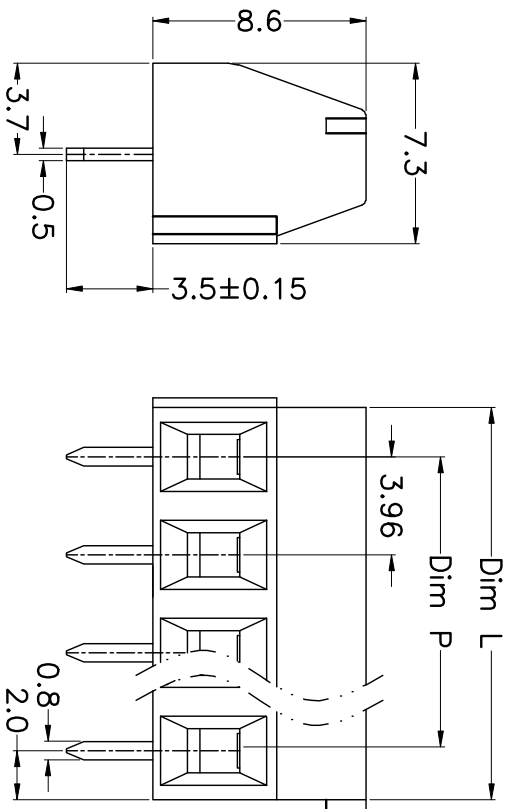
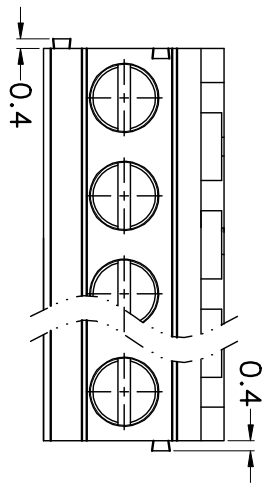


| REV. | DESCRIPTION | DATE      | DRAWN | APPROVED |
|------|-------------|-----------|-------|----------|
| A1   | DWG.REL     | 2015.3.12 | FANG  | YANG     |



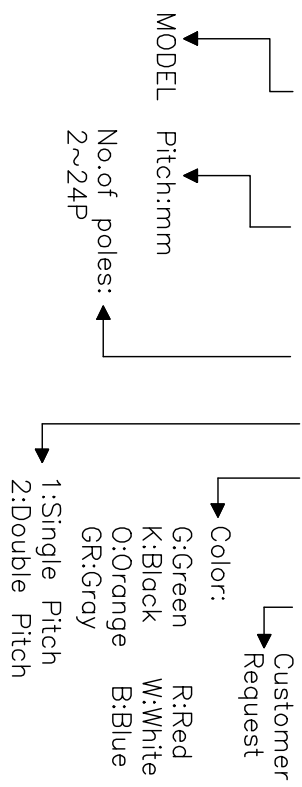
- Material
- Screws : M2.0 steel, Zinc plated, “—” slot type
- Housing : PA66, UL94V-0
- Clamp : Brass, Ni plated
- Pin header : Brass, Tin plated

- Electrical UL IEC
- Rated voltage : 150V 130V
- Rated current : 10A 10A
- Insulation resistance: 500MΩ/DC500V
- Withstanding Voltage : AC1500V/1min
- Wire range: 24-16AWG 1.5mm<sup>2</sup>

- Mechanical
- Operating temperature: -40°C ~ +105°C
- Soldering temperature: 250°C ±5/5sec
- Torque: 0.2N.m (1.77Lb.in)
- Strip length: 4-5mm

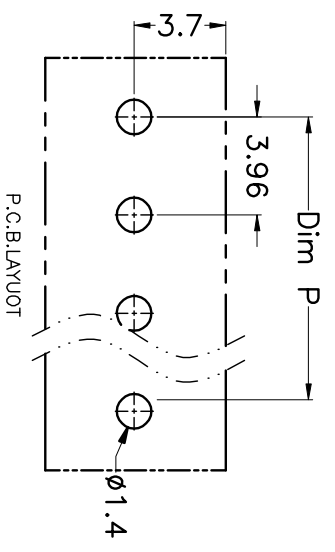
### HOW TO ORDER

KF124-3.96-XXP-1 X-XXXXX



N=Number of Poles  
Dim P=(N-1)x3.96  
Dim L=Nx3.96

| Poles  | Dim P | Dim L |
|--------|-------|-------|
| 2-6P   | ±0.10 | ±0.15 |
| 7-12P  | ±0.20 | ±0.20 |
| 13-18P | ±0.25 | ±0.30 |
| 19-24P | ±0.30 | ±0.40 |



| GENERAL TOLERANCE |          | ANGLE TOLERANCE |         |
|-------------------|----------|-----------------|---------|
| X. ±0.5           | X. ±0.3  | X. ±5'          | X. ±3'  |
| .XX ±0.1          | .XX ±0.1 | .XX ±1'         | .XX ±1' |

| DRAWING TYPE | CUSTOMER | SHEET | 1 OF 1 |
|--------------|----------|-------|--------|
| SCALE        | 1:1      |       |        |

DRAWING NO.

| PROJECTION    | TITLE          |
|---------------|----------------|
| UNITS mm      | KF124-3.96-XXP |
| SHEET SIZE A4 | SERIES KF124   |

# 科奕科技有限公司