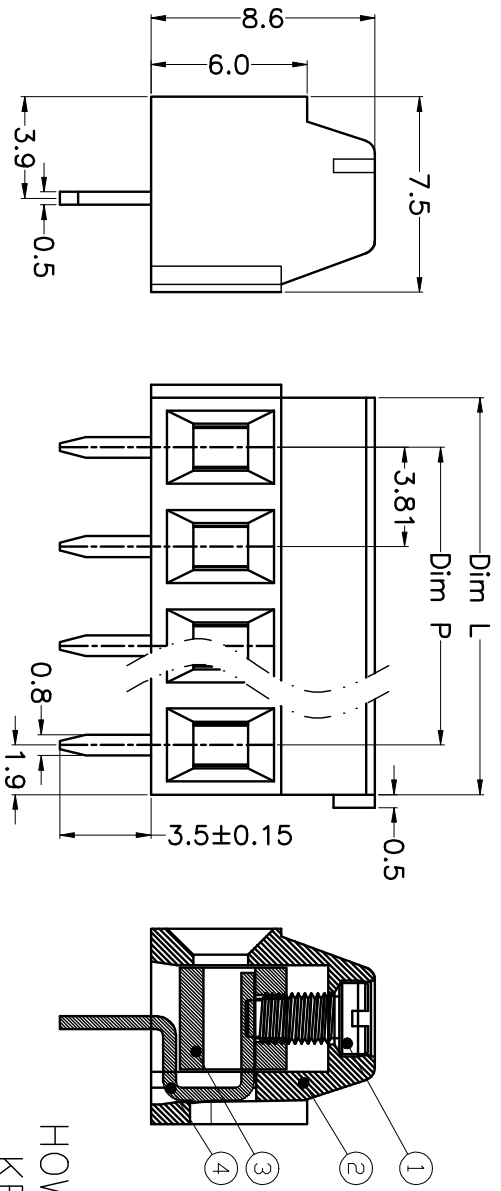
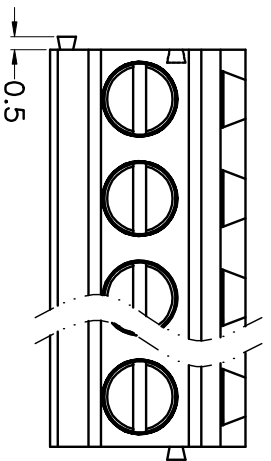


REV.	DESCRIPTION	DATE	DRAWN	APPROVED
A1	DWG.REL	2015.3.12	FANG	YANG



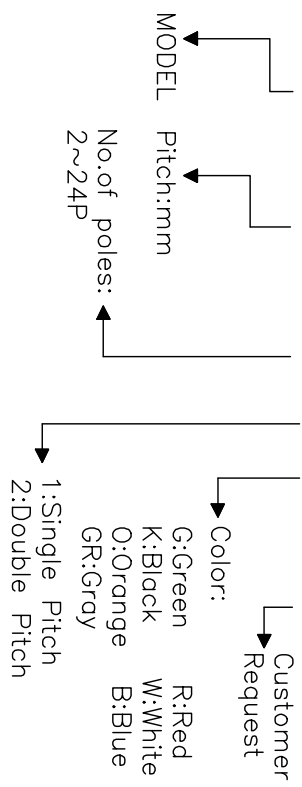
- Material
 ○Screws : M2.0 steel, Zinc plated,
 “—” slot type
 ○Housing : PA66, UL94V-0
 ○Clamp : Brass, Ni plated
 ○Pin header : Brass, Tin plated

- Electrical UL IEC
 Rated voltage : 150V 130V
 Rated current : 10A 10A
 Insulation resistance: 500MΩ/DC500V
 Withstanding Voltage : AC1500V/1min
 Wire range: 24-16AWG 1.5mm²

- Mechanical
 Operating temperature: -40℃~+105℃
 Soldering temperature: 250℃±5/5sec
 Torque: 0.2N.m (1.77Lb.in)
 Strip length: 4-5mm

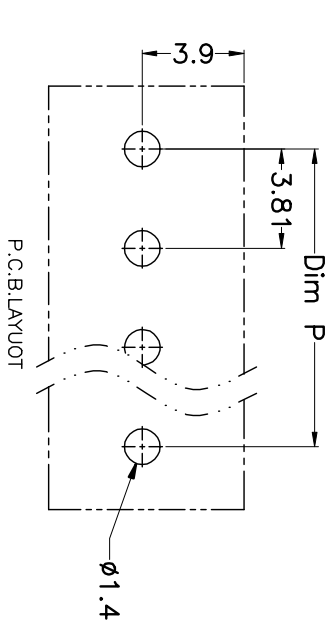
HOW TO ORDER

KF124D-3.81-XXP-1 X-XXXXX



N=Number of Poles
 Dim P=(N-1)x3.81
 Dim L=Nx3.81

Poles	Dim P	Dim L
2-6P	±0.10	±0.15
7-12P	±0.20	±0.20
13-18P	±0.25	±0.30
19-24P	±0.30	±0.40



GENERAL TOLERANCE		ANGLE TOLERANCE	
X.	±0.5	X.	±5'
.X	±0.3	.X.	±3'
.XX	±0.1	.XX.	±1'

DRAWING TYPE	CUSTOMER
SCALE	1:1
DRAWING NO.	SHEET 1 OF 1

PROJECTION	TITLE
UNITS mm	KF124D-3.81-XXP
SHEET SIZE A4	SERIES KF124D

科奕科技有限公司