

| REV. | DESCRIPTION | DATE | DRAWN | APPROVED |
|------|-------------|-----------|-------|----------|
| A1 | DWG.REL | 2015.3.12 | FANG | YANG |

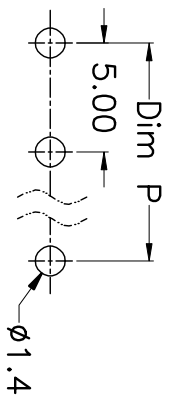
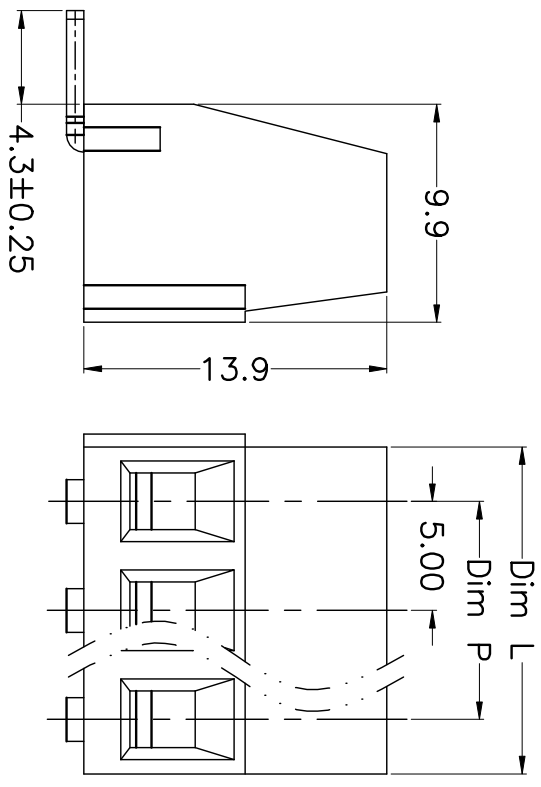
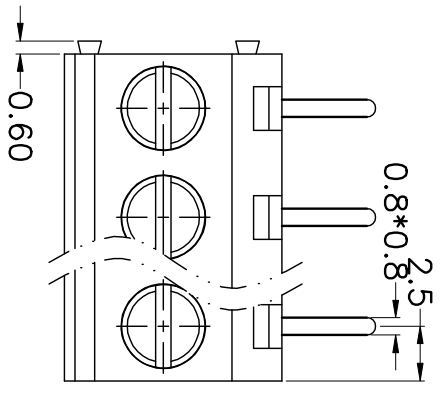
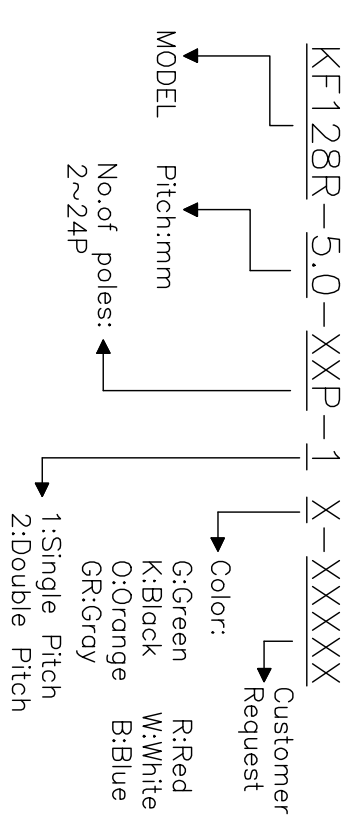
- Material
 - ⊙Screws : M2.5 steel, Zinc plated,
 - “-” slot type
 - ⊙Housing : PA66, UL94V-0
 - ⊙Clamp : Steel, Zinc plated
 - ⊙Pin header : Brass, Tin plated

- Electrical

| | |
|-------------------------------------|--------------------|
| UL | IEC |
| Rated voltage : 300V | 250V |
| Rated current : 10A | 18A |
| Insulation resistance: 500MΩ/1000V | |
| Withstanding Voltage : AC2000V/1min | |
| Wire range: 24-12AWG | 2.5mm ² |

- Mechanical
 - Operating temperature: -40°C to +105°C
 - Soldering temperature: 250°C ± 5/5sec
 - Torque: 0.4N.m (3.54Lb.in)
 - Strip length: 6-7mm

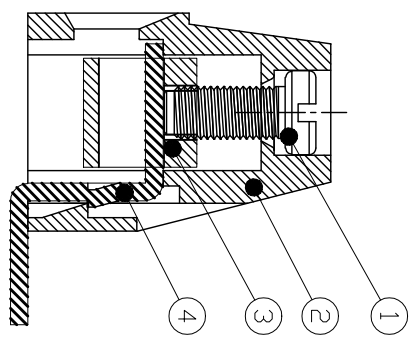
HOW TO ORDER



P.C.B.LAYUOT

N=Number of Poles
Dim P=(N-1)x5.00
Dim L=Nx5.00

| Poles | Dim P | Dim L |
|--------|-------|-------|
| 2-6P | ±0.10 | ±0.15 |
| 7-12P | ±0.20 | ±0.20 |
| 13-18P | ±0.25 | ±0.30 |
| 19-24P | ±0.30 | ±0.40 |



| GENERAL TOLERANCE | | ANGLE TOLERANCE | |
|-------------------|----------|-----------------|--------|
| X. | ±0.5 | X. | ±5' |
| .X | ±0.3 | .X. | ±3' |
| .XX | ±0.1 | .XX. | ±1' |
| DRAWING TYPE | CUSTOMER | SHEET | 1 OF 1 |
| SCALE | 1:1 | DRAWING NO. | |

| PROJECTION | TITLE |
|------------|----------------|
| mm | KF128R-5.0-XXP |
| SHEET SIZE | A4 |
| SERIES | KF128R |

科奕科技有限公司