

REV.	DESCRIPTION	DATE	DRAWN	APPROVED
A1	DWG.REL	2015.3.12	FANG	YANG

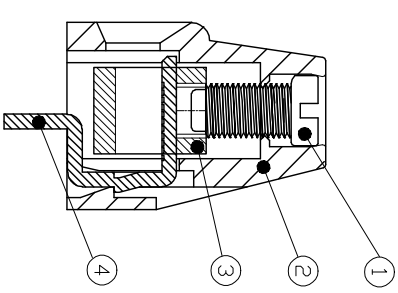
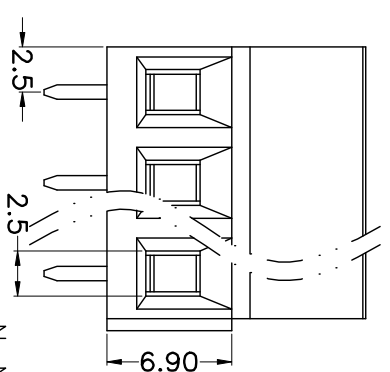
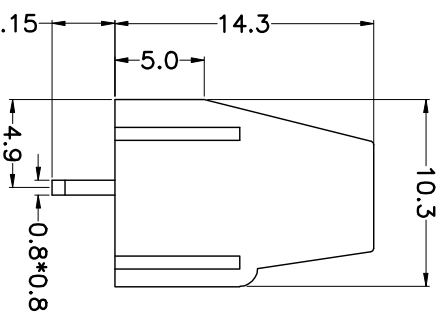
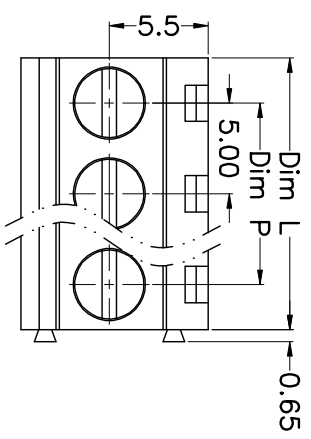
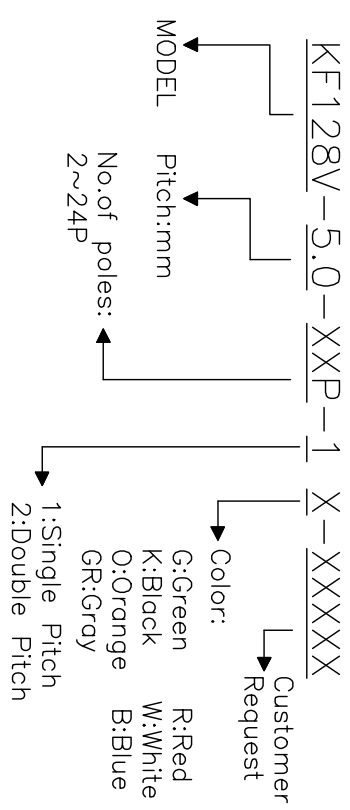
- Material
  - ①Screws : M2.5 steel, Zinc plated,
  - “-” slot type
  - ②Housing : PA66, UL94V-0
  - ③Clamp : Brass, Ni plated
  - ④Pin header : Brass, Tin plated

- Electrical
 

UL	IEC
Rated voltage : 300V	250V
Rated current : 10A	18A
Insulation resistance: 500MΩ/DC500V	
Withstanding Voltage : AC2000V/1min	
Wire range: 24-12AWG	2.5mm <sup>2</sup>

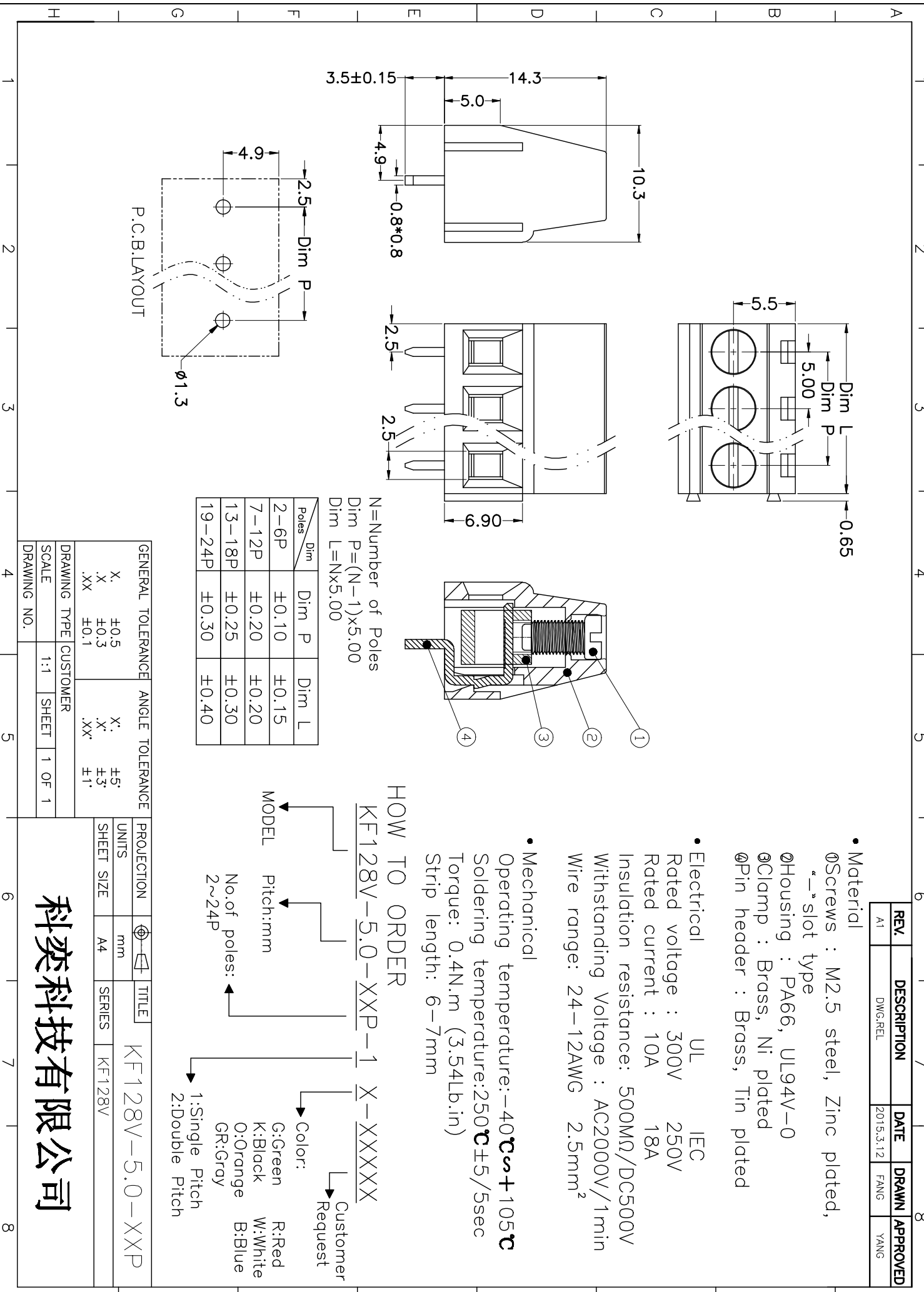
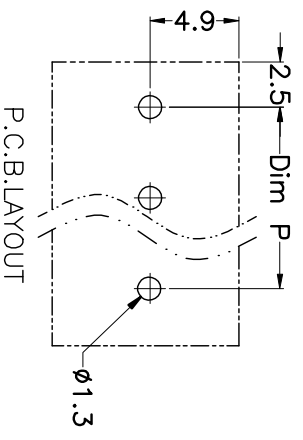
- Mechanical
  - Operating temperature: -40°C to +105°C
  - Soldering temperature: 250°C ±5/5sec
  - Torque: 0.4N.m (3.54Lb.in)
  - Strip length: 6-7mm

### HOW TO ORDER



Poles	Dim P	Dim L
2-6P	±0.10	±0.15
7-12P	±0.20	±0.20
13-18P	±0.25	±0.30
19-24P	±0.30	±0.40

N=Number of Poles  
 Dim P=(N-1)x5.00  
 Dim L=Nx5.00



GENERAL TOLERANCE		ANGLE TOLERANCE	
X.	±0.5	X.	±5°
.X	±0.3	.X.	±3°
.XX	±0.1	.XX.	±1°
DRAWING TYPE	CUSTOMER		
SCALE	1:1	SHEET	1 OF 1
DRAWING NO.			

PROJECTION	TITLE
mm	KF128V-5.0-XXP
SHEET SIZE	A4
SERIES	KF128V

科奕科技有限公司