

REV.	DESCRIPTION	DATE	DRAWN	APPROVED
A1	DWG.REL	2015.3.12	FANG	YANG

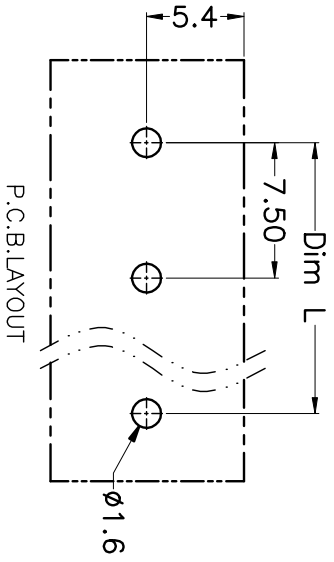
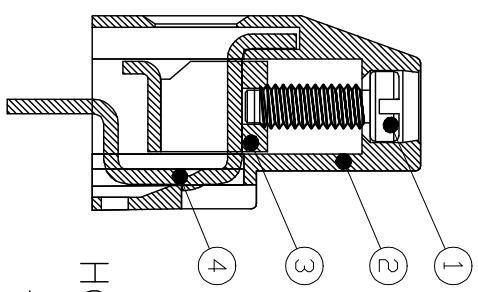
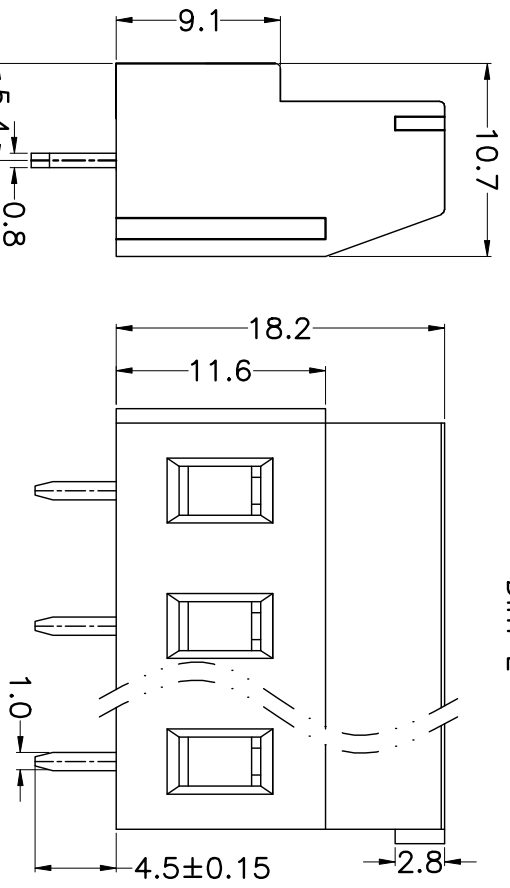
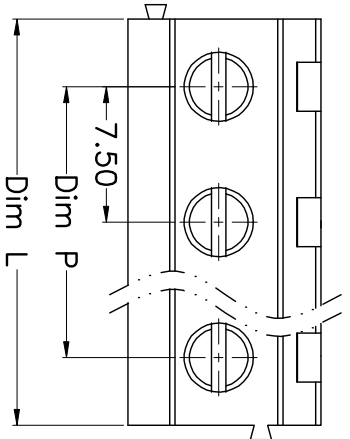
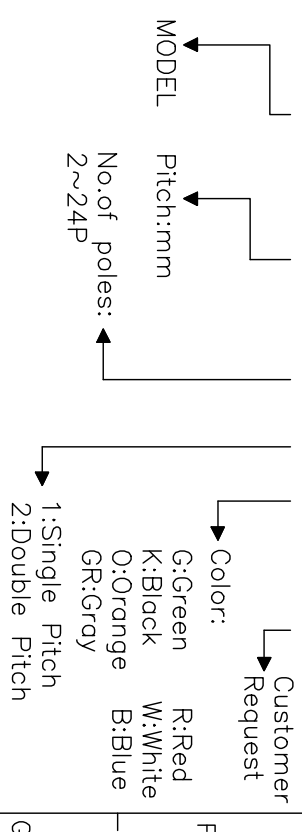
- Material
- Screws : M2.5 steel, Zinc plated, "—" slot type
- Housing : PA66, UL94V-0
- Clamp : Steel, Zinc plated
- Pin header : Brass, Tin plated

- Electrical
 - UL IEC
 - Rated voltage : 300V 450V
 - Rated current : 20A 20A
 - Insulation resistance: 500MΩ/DC500V
 - Withstanding Voltage : AC2500V/1min
 - Wire range: 24-12AWG 4.0mm²

- Mechanical
 - Operating temperature: -40°C to +105°C
 - Soldering temperature: 250°C ±5/5sec
 - Torque: 0.4N.m (3.54Lb.in)
 - Strip length: 6-7mm

HOW TO ORDER

KF129V-7.5-XXP-1 X-XXXXX



N=Number of Poles
 Dim P=(N-1)x7.50
 Dim L=NX7.50

Poles	Dim P	Dim L
2-6P	±0.10	±0.15
7-12P	±0.20	±0.20
13-18P	±0.25	±0.30
19-24P	±0.30	±0.40

GENERAL TOLERANCE ANGLE TOLERANCE

X.	±0.5	X.	±5°
.X	±0.3	.X.	±3°
.XX	±0.1	.XX.	±1°

DRAWING TYPE	CUSTOMER	SHEET	1 OF 1
SCALE	1:1	SHEET	1 OF 1

PROJECTION	TITLE
UNITS: mm	KF129V-7.5-XXP
SHEET SIZE: A4	SERIES: KF129V

科奕科技有限公司