

REV.	DESCRIPTION	DATE	DRAWN	APPROVED
A1	DWG.REL	2015.3.12	FANG	YANG

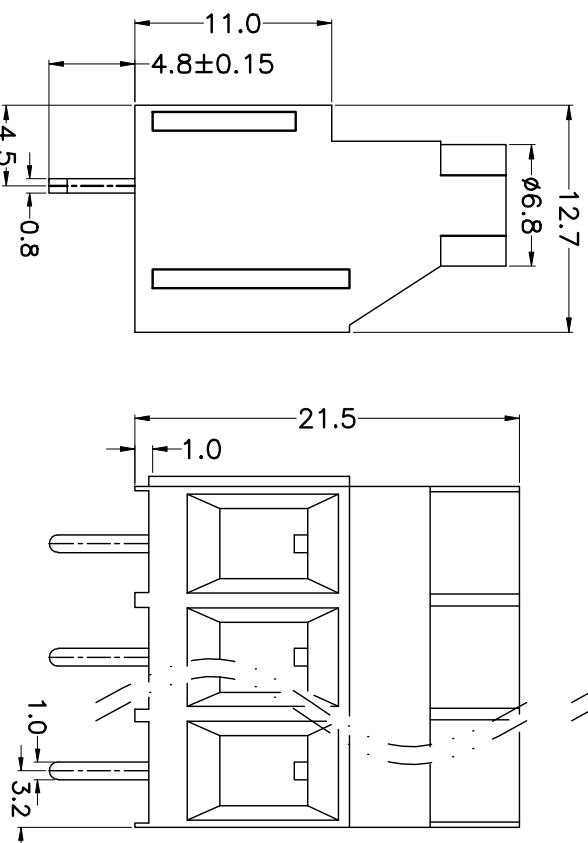
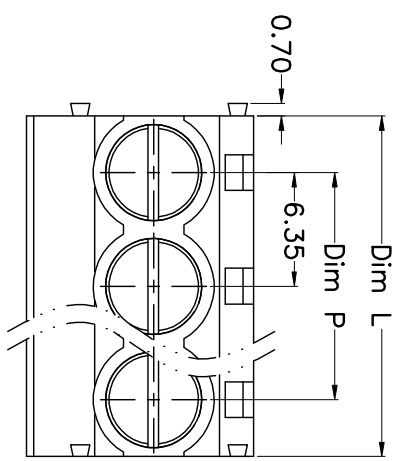
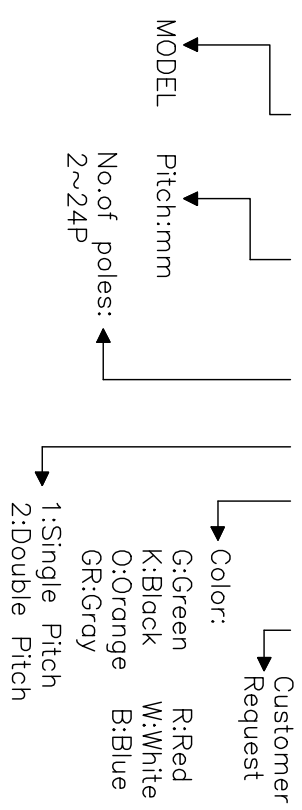
- Material
 - ØScrews : M3.0 steel, Zinc plated,
 - “-” slot type
 - ØHousing : PA66, UL94V-0
 - ØClamp : Brass, Ni plated
 - ØPin header : Brass, Tin plated

- Electrical
 - UL IEC
 - Rated voltage : 300V 450V
 - Rated current : 30A 41A
 - Insulation resistance: 500MΩ/DC500V
 - Withstanding Voltage : AC3000V/1min
 - Wire range: 26-10AWG 6.0mm²

- Mechanical
 - Operating temperature: -40°C⁺105°C
 - Soldering temperature: 250°C±5/5sec
 - Torque: 0.5N.m (4.43lb.in)
 - Strip length: 6-7mm

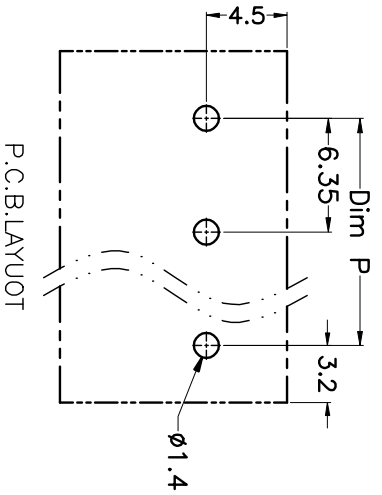
HOW TO ORDER

KF635-6.35-XXP-1 X-XXXXX



N=Number of Poles
Dim P=(N-1)x6.35
Dim L=Nx6.35

Poles	Dim P	Dim L
2-6P	±0.10	±0.15
7-12P	±0.20	±0.20
13-18P	±0.25	±0.30
19-24P	±0.30	±0.40



GENERAL TOLERANCE ANGLE TOLERANCE

X.	±0.5	X.	±5'
.X	±0.3	.X.	±3'
.XX	±0.1	.XX.	±1'

DRAWING TYPE	CUSTOMER	SHEET	1 OF 1
SCALE	1:1		
DRAWING NO.			

PROJECTION	TITLE
UNITS	KF635-6.35-XXP
SHEET SIZE	A4
SERIES	KF635

科奕科技有限公司