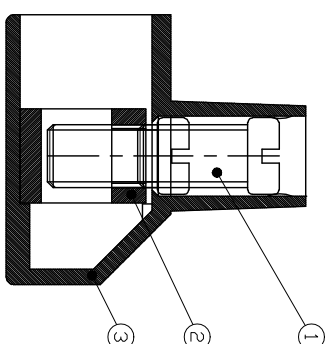
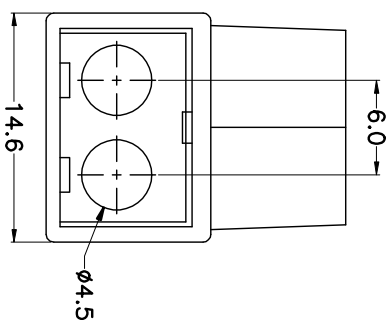
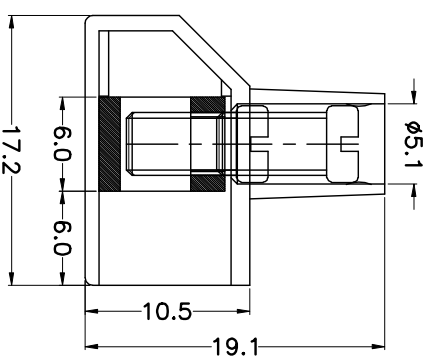
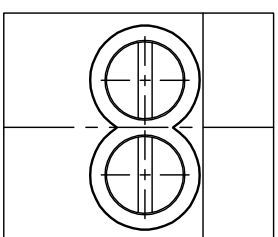


REV.	DESCRIPTION	DATE	DRAWN	APPROVED
A1	DWG.REL	2015.3.12	FANG	YANG



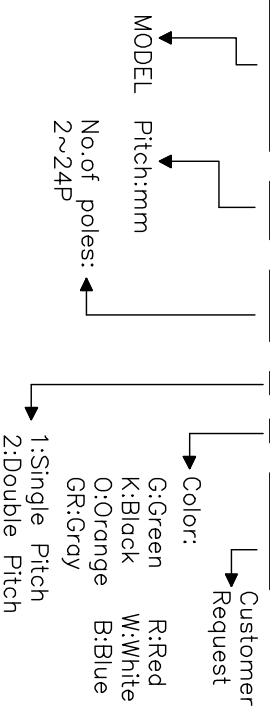
- Material
 ØScrews : M4.0 steel, Zinc plated,
 “_” slot type
 ØHousing : PC
 ØClamp : Brass, Ni plated
 ØPin header : Brass, Tin plated

- Electrical IEC
 Rated voltage : 450V
 Rated current : 57A

- Mechanical
 Operating temperature: -40°C to $+105^{\circ}\text{C}$
 Soldering temperature: $250^{\circ}\text{C} \pm 5/5\text{sec}$
 Torque: 1.2N.m (10.53Lb.in)
 Strip length: 10mm

HOW TO ORDER

RU10-T85-6.0-XXP-1 X-XXXXXX



GENERAL TOLERANCE		ANGLE TOLERANCE		PROJECTION		TITLE	
X.	±0.5	X.	±5'	UNITS	mm	RU10-T85-6.0-2P	
.X	±0.3	.X.	±3'	SHEET SIZE	A4	SERIES	RU10-T85
.XX	±0.1	.XX.	±1'	DRAWING TYPE	CUSTOMER	科奕科技有限公司	
SCALE	1:1	SHEET	1 OF 1				
DRAWING NO.							