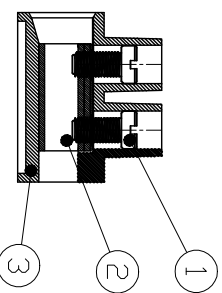
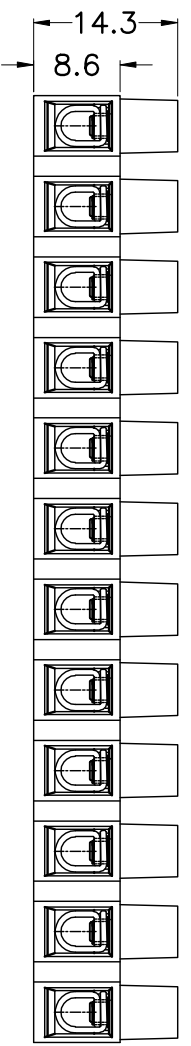
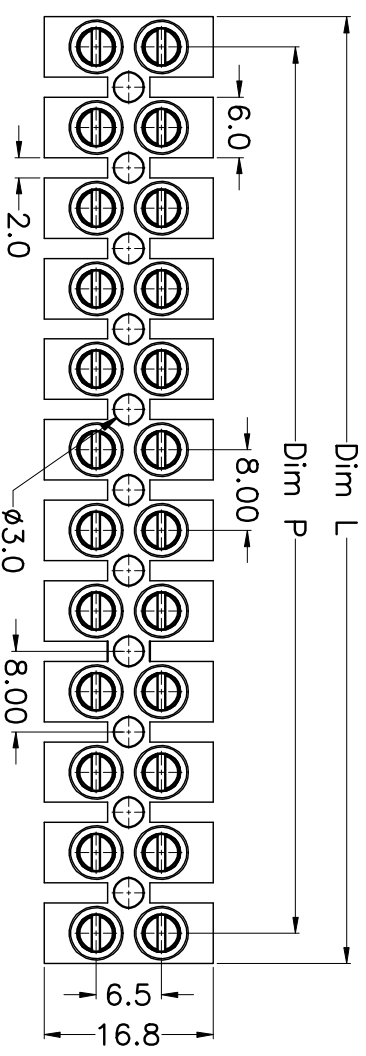


REV.	DESCRIPTION	DATE	DRAWN	APPROVED
A1	DWG.REL	2015.3.12	FANG	YANG

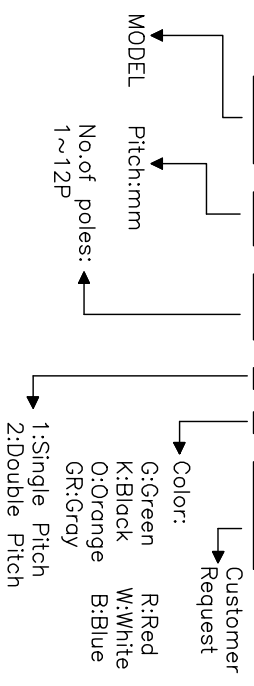


- Material
 ØScrews : M2.5 steel, Zinc plated
 ØClamp : Steel, Zinc plated
 ØHousing : PA66, UL94V-2
- Electrical
 UL IEC
 Rated voltage : 300V 400V
 Rated current : 20A 32A
 Wire range: 20-12AWG 0.5~4.0mm²
- Mechanical
 Operating temperature: -40°C~+110°C
 Soldering temperature: 250°C±5/5sec
 Torque: 0.4N.m (3.54lb.in)

Poles	1P	2P	3P	4P	5P	6P	7P	8P	9P	10P	11P	12P
Dim P	0	8.00	16.00	10.5	24.00	32.00	40.00	48.00	56.00	64.00	72.00	80.00
Dim L	6.00	14.00	22.00	30.00	38.00	46.00	54.00	62.00	70.00	78.00	86.00	94.00
Toi.	±0.15											±0.20

HOW TO ORDER

KF8H-8.0-XXP-1 X-XXXXX



GENERAL TOLERANCE		ANGLE TOLERANCE		PROJECTION		TITLE	
X.	±0.5	X.	±5'	mm	⊕	KF8H-8.0-XXP	
.X	±0.3	.X.	±3'	A4	△	KF8H	
.XX	±0.1	.XX.	±1'	SHEET SIZE		SERIES KF8H	
DRAWING TYPE CUSTOMER		SCALE		DRAWING NO.		1:1 SHEET 1 OF 1	

科奕科技有限公司