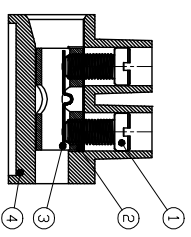
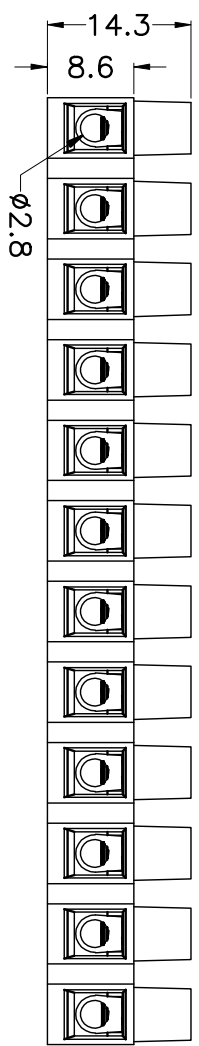
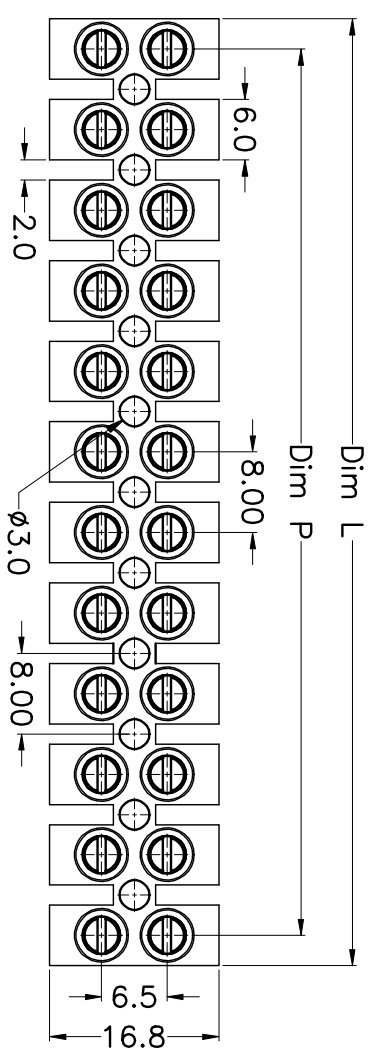


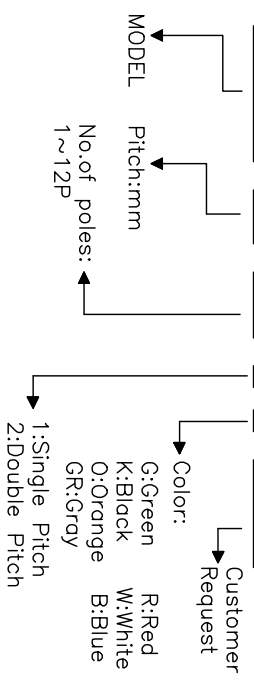
REV.	DESCRIPTION	DATE	DRAWN	APPROVED
A1	DWG.REL	2015.3.12	FANG	YANG



Poles	1P	2P	3P	4P	5P	6P	7P	8P	9P	10P	11P	12P
Dim P	0	8.00	16.00	10.5	24.00	32.00	40.00	48.00	56.00	64.00	72.00	80.00
Dim L	6.00	14.00	22.00	30.00	38.00	46.00	54.00	62.00	70.00	78.00	86.00	94.00
Tol.			±0.15									±0.20

HOW TO ORDER

KF8HWP-8.0-XXP-1 X-XXXXX



- Material
 - ①Screws : M2.5 steel, Zinc plated
 - ②Clamp : Brass, Ni plated
 - ③Reed : Stainless steel
 - ④Housing : PA66, UL94V-2
- Electrical

UL	IEC
Rated voltage : 300V	400V
Rated current : 15A	24A
Wire range: 20-14AWG	1.0-2.5mm ²
- Mechanical
 - Operating temperature: -40°C to +110°C
 - Soldering temperature: 250°C ±5/5sec
 - Torque: 0.4N.m (3.54Lb.in)

GENERAL TOLERANCE		ANGLE TOLERANCE		PROJECTION	TITLE
X.	±0.5	X.	±5'	mm	KF8HWP-8.0-XXP
X	±0.3	X'	±3'	A4	KF8HWP
.XX	±0.1	.XX'	±1'	SERIES	KF8HWP
DRAWING TYPE	CUSTOMER	SCALE	1:1	SHEET	1 OF 1
DRAWING NO.					

科奕科技有限公司