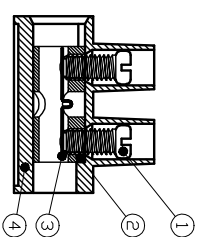
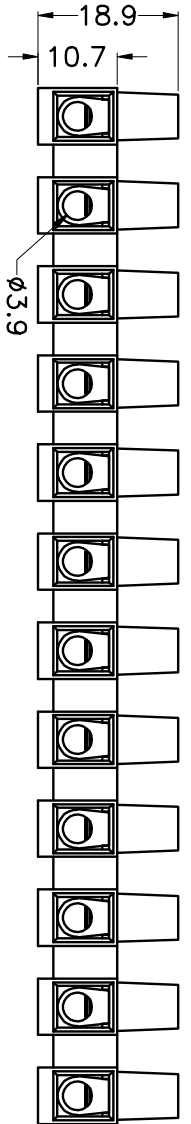
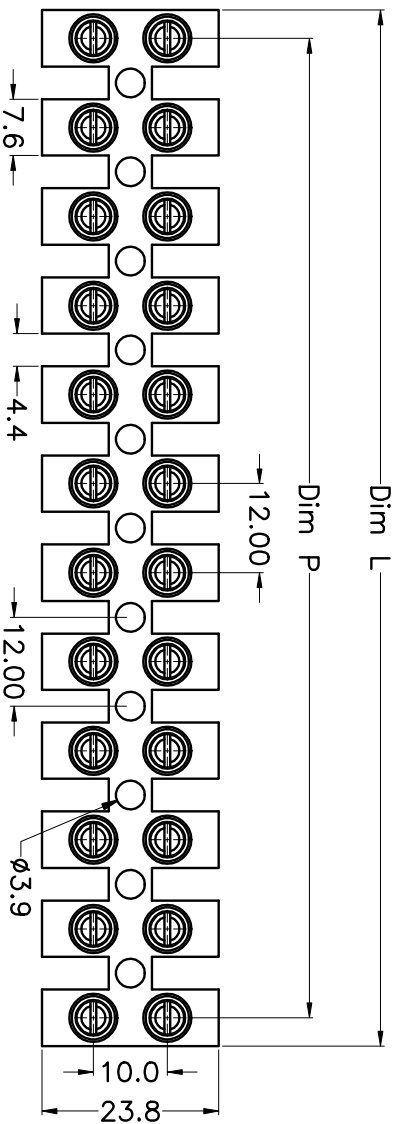


REV.	DESCRIPTION	DATE	DRAWN	APPROVED
A1	DWG.REL	2015.3.12	FANG	YANG

- Material
  - ⊙Screws : M3.5 steel, Zinc plated
  - ⊙Clamp : Brass, Ni plated
  - ⊙Reed : Stainless steel
  - ⊙Housing : PA66, UL94V-2

- Electrical
  - UL IEC
  - Rated voltage : 600V 500V
  - Rated current : 30A 41A
  - Wire range: 16-10AWG 1.5~6mm<sup>2</sup>

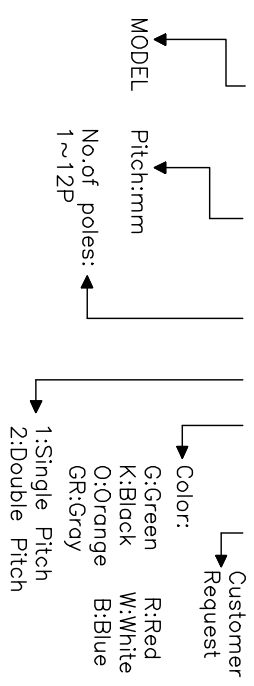
- Mechanical
  - Operating temperature: -40°C~+110°C
  - Soldering temperature: 250°C±5/5sec
  - Torque: 0.8N.m (7.02lb.in)



Poles	1P	2P	3P	4P	5P	6P	7P	8P	9P	10P	11P	12P
Dim P	0	12.00	24.00	36.00	48.00	60.00	72.00	84.00	96.00	108.00	120.00	132.00
Dim L	7.60	19.60	31.60	43.60	55.60	67.60	79.60	91.60	103.60	115.60	127.60	139.60
Tol.											±0.15	±0.20

HOW TO ORDER

KF12HWP-12.0-XXP-1 X-XXXXX



GENERAL TOLERANCE ANGLE TOLERANCE

X.	±0.5	X.	±5'
.X	±0.3	.X.	±3'
.XX	±0.1	.XX.	±1'

PROJECTION UNITS TITLE

UNITS	mm	TITLE	KF12HWP-12.0-XXP
SHEET SIZE	A4	SERIES	KF12HWP

DRAWING TYPE	CUSTOMER
SCALE	1:1
DRAWING NO.	SHEET 1 OF 1

科奕科技有限公司