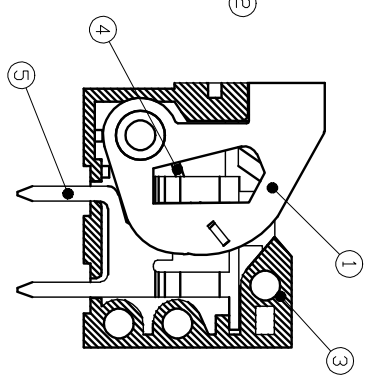
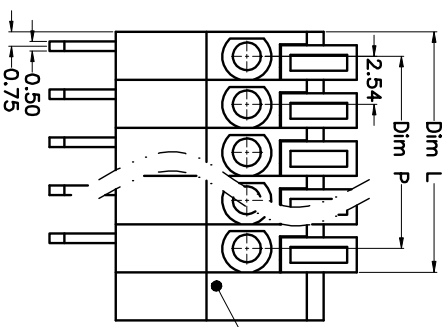
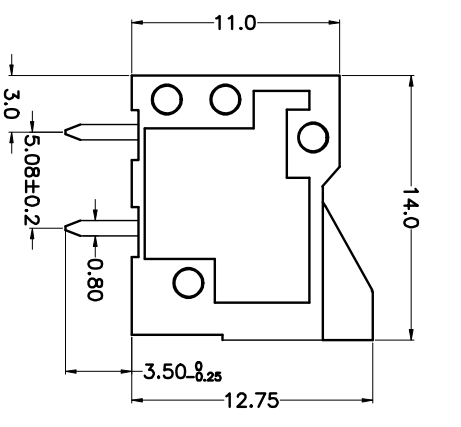
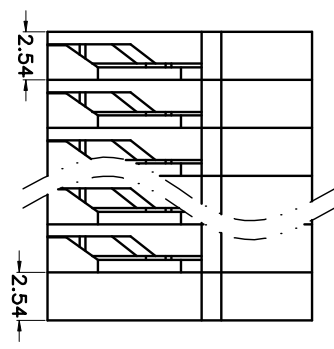


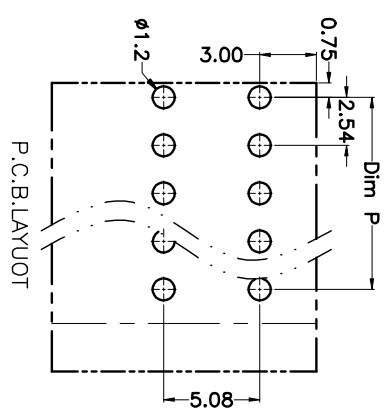
REV.	DESCRIPTION	DATE	DRAWN	APPROVED
A1	DWG.REL	2015.3.12	FANG	YANG



- Material
 - ØButton : PA66, UL94V-0
 - ØCover : PA66, UL94V-0
 - ØHousing : PA66, UL94V-0
 - ØReed : Stainless steel
 - ØPin header : Brass, Tin plated

- Electrical
 - UL IEC
 - Rated voltage : 150V 130V
 - Rated current : 5A 6A
 - Insulation resistance: 500MΩ/DC500V
 - Withstanding Voltage : AC1250V/1min
 - Wire range: 24-18AWG 1.0mm²

- Mechanical
 - Operating temperature: -40°C~+105°C
 - Soldering temperature: 250°C±5/5sec
 - Strip length: 11mm



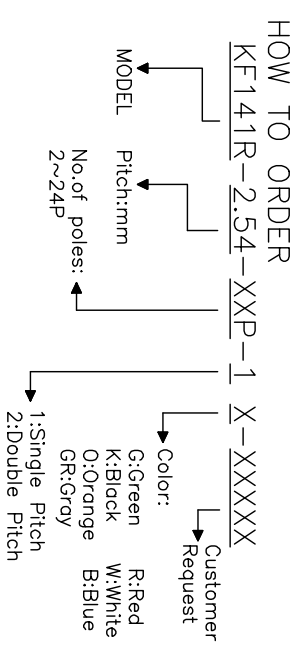
N=Number of Poles
Dim P=(N-1)x2.54
Dim L=Nx2.54

Poles	Dim P	Dim L	Dim L
2-6P	±0.10	±0.15	±0.15
7-12P	±0.20	±0.20	±0.20
13-18P	±0.25	±0.30	±0.30
19-24P	±0.30	±0.40	±0.40

GENERAL TOLERANCE	ANGLE TOLERANCE
X: ±0.5	X: ±5'
.X: ±0.3	.X: ±3'
.XX: ±0.1	.XX: ±1'

DRAWING TYPE	CUSTOMER
SCALE	SHEET
1:1	1 OF 1
DRAWING NO.	

PROJECTION	TITLE
UNITS	KF141R-2.54-XXP
SHEET SIZE	A4
SERIES	KF141R



科奕科技有限公司