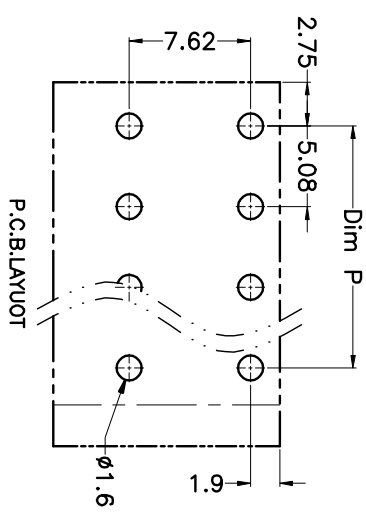
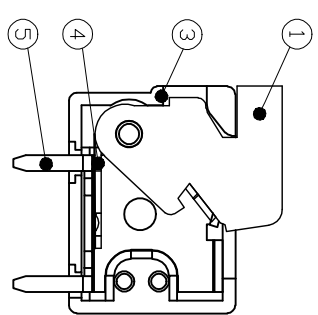
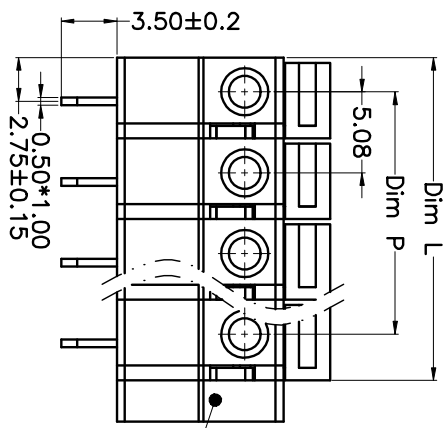
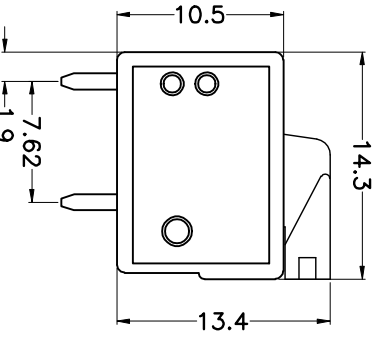
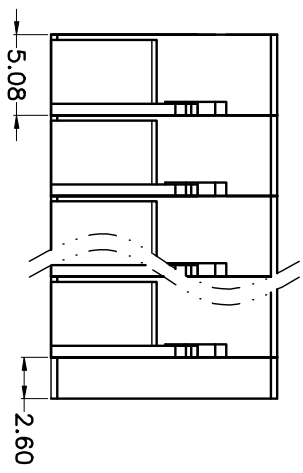


REV.	DESCRIPTION	DATE	DRAWN	APPROVED
A1	DWG.REL	2015.3.12	FANG	YANG



N=Number of Poles
Dim P=(N-1)x5.08
Dim L=Nx5.08

Poles	Dim	Dim P	Dim L
2-6P		±0.10	±0.15
7-12P		±0.20	±0.20
13-18P		±0.25	±0.30
19-24P		±0.30	±0.40

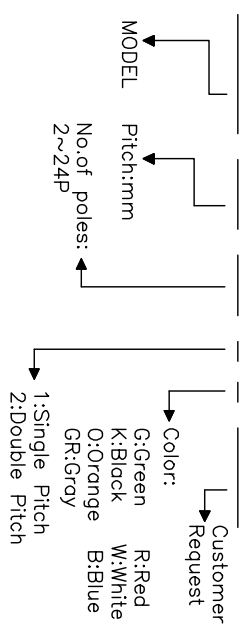
- Material
 - ØButton : PA66, UL94V-0
 - ØCover : PA66, UL94V-0
 - ØHousing : PA66, UL94V-0
 - ØReed : Stainless steel
 - ØPin header : Brass, Tin plated

- Electrical UL IEC
 - Rated voltage : 300V 250V
 - Rated current : 10A 15A
 - Insulation resistance: 500MΩ/DC500V
 - Withstanding Voltage : AC2000V/1min
 - Wire range: 22-14AWG 1.5mm²

- Mechanical
 - Operating temperature: -40℃~+105℃
 - Soldering temperature: 250℃±5/5sec
 - Strip length: 10mm

HOW TO ORDER

KF142R-5.08-XXP-1 X-XXXXX



GENERAL TOLERANCE		ANGLE TOLERANCE		PROJECTION	
X.	±0.5	X.	±5'	⊕	mm
.X	±0.3	.X.	±3'	▽	mm
.XX	±0.1	.XX'	±1'		
DRAWING TYPE	CUSTOMER			SHEET SIZE	A4
SCALE	1:1	SHEET	1 OF 1	SERIES	KF142R
DRAWING NO.				TITLE	KF142R-5.08-XXP

科奕科技有限公司