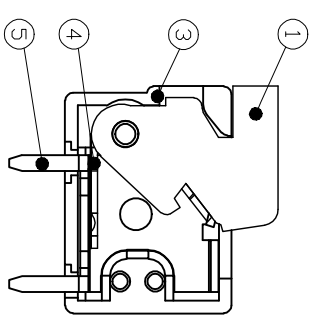
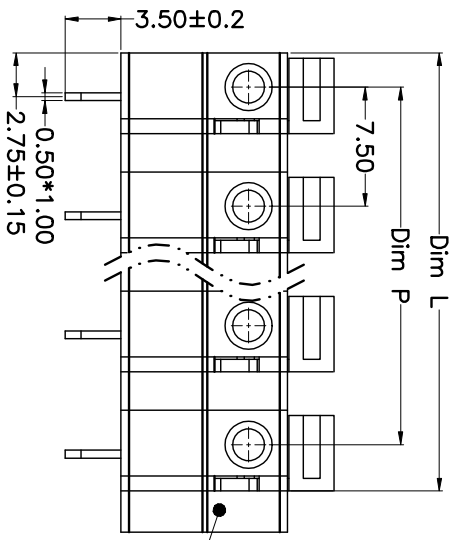
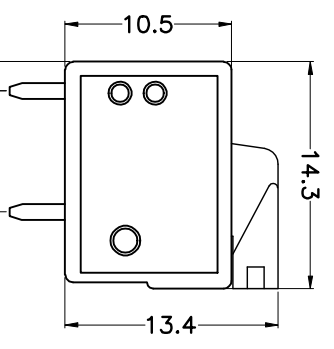
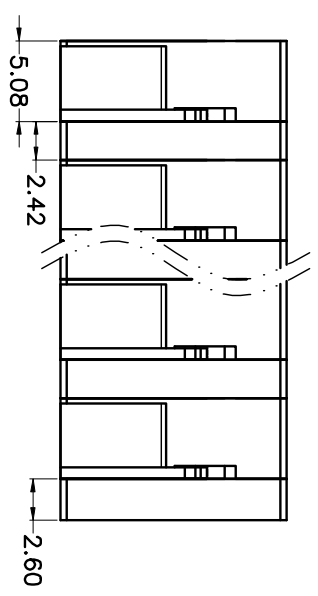


REV.	DESCRIPTION	DATE	DRAWN	APPROVED
A1	DWG.REL	2015.3.12	FANG	YANG



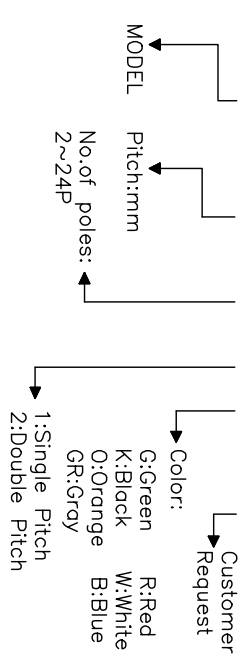
- Material
  - @Button : PA66, UL94V-0
  - @Cover : PA66, UL94V-0
  - @Housing : PA66, UL94V-0
  - @Reed : Stainless steel
  - @Pin header : Brass, Tin plated

- Electrical
  - UL IEC
  - Rated voltage : 300V 450V
  - Rated current : 10A 15A
  - Insulation resistance: 500MΩ/DC500V
  - Withstanding Voltage : AC2000V/1min
  - Wire range: 22-14AWG 1.5mm<sup>2</sup>

- Mechanical
  - Operating temperature: -40°C ~ +105°C
  - Soldering temperature: 250°C ±5/5sec
  - Strip length: 10mm

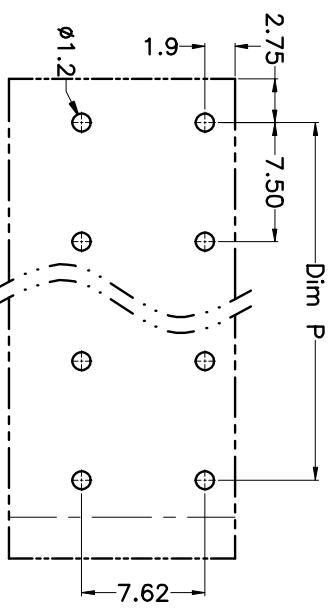
HOW TO ORDER

KF142R-7.5-XXP-1 X-XXXXXX



N=Number of Poles  
Dim P=(N-1)x7.50  
Dim L=Nx7.50-2.42

Poles	Dim P	Dim L
2-6P	±0.10	±0.15
7-12P	±0.20	±0.20
13-18P	±0.25	±0.30
19-24P	±0.30	±0.40



P.C.B.LAYUOT

GENERAL TOLERANCE		ANGLE TOLERANCE		PROJECTION	TITLE
X.	±0.5	X.	±5'		KF142R-7.5-XXP
.X	±0.3	.X.	±3'	mm	
.XX	±0.1	.XX.	±1'	SHEET SIZE	A4
DRAWING TYPE CUSTOMER		SCALE		SERIES	KF142R
SCALE		1:1		SHEET	1 OF 1
DRAWING NO.					

科奕科技有限公司