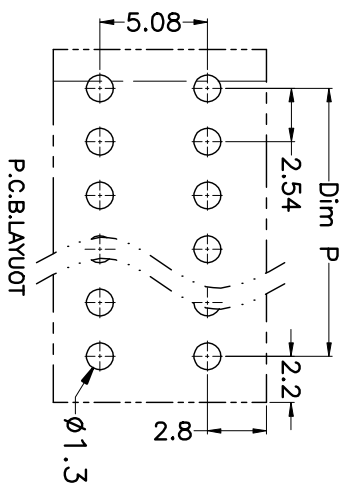
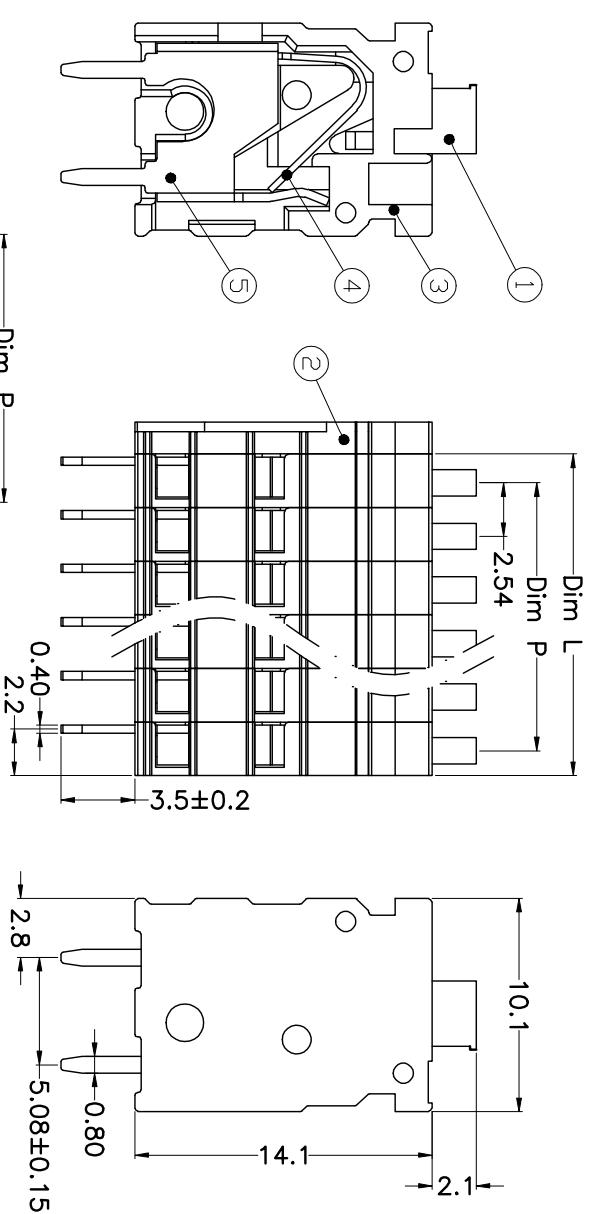
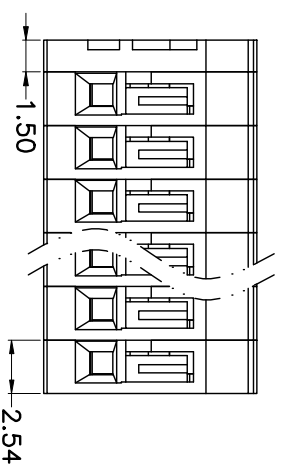


REV.	DESCRIPTION	DATE	DRAWN	APPROVED
A1	DWG.REL	2015.3.12	FANG	YANG



N=Number of Poles
Dim P=(N-1)×2.54
Dim L=NX2.54

Poles	Dim P	Dim L
2-6P	±0.10	±0.15
7-12P	±0.20	±0.20
13-18P	±0.25	±0.30
19-24P	±0.30	±0.40

GENERAL TOLERANCE	ANGLE TOLERANCE
X. ±0.5	X. ±5'
X ±0.3	X' ±3'
.XX ±0.1	.XX' ±1'

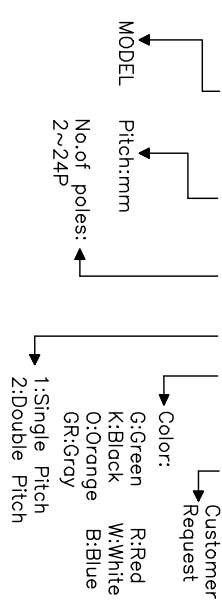
DRAWING TYPE	CUSTOMER	SHEET	1 OF 1
SCALE	1:1		
DRAWING NO.			

- Material
 - Button : PA66, UL94V-0
 - Cover : PA66, UL94V-0
 - Housing : PA66, UL94V-0
 - Reed : Stainless steel
 - Pin header : Brass, Tin plated

- Electrical UL IEC
 - Rated voltage : 150V 130V
 - Rated current : 5A 6A
 - Insulation resistance: 500MΩ/DC500V
 - Withstanding Voltage : AC1250V/1min
 - Wire range: 24-20AWG 1.0mm²

- Mechanical
 - Operating temperature:-40°C~+105°C
 - Soldering temperature:250°C±5/5sec
 - Strip length: 11mm

HOW TO ORDER



PROJECTION	TITLE
UNITS mm	KF143V-2.54-XXP
SHEET SIZE A4	SERIES KF143V

科奕科技有限公司