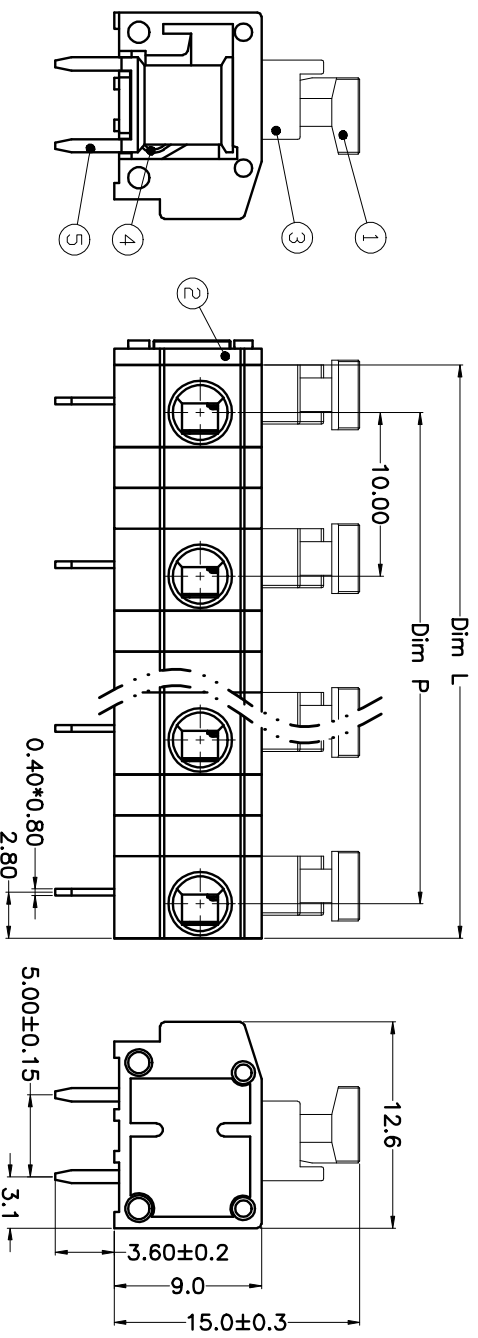
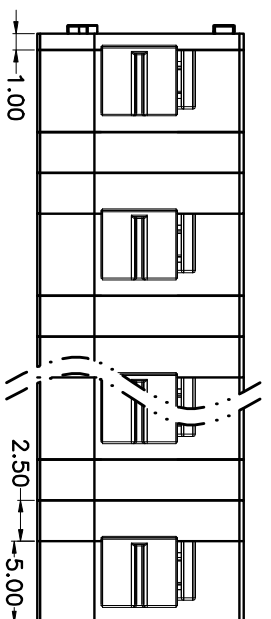


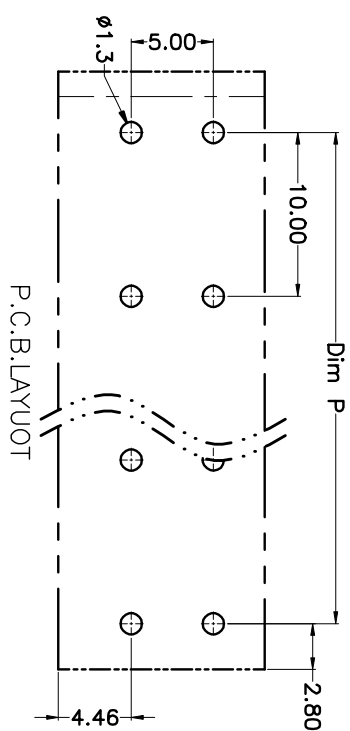
REV.	DESCRIPTION	DATE	DRAWN	APPROVED
A1	DWG.REL	2015.3.12	FANG	YANG



- Material
 - ⊙Button : PA66, UL94V-0
 - ⊙Cover : PA66, UL94V-0
 - ⊙Housing : PA66, UL94V-0
 - ⊙Reed : Stainless steel
 - ⊙Pin header : Brass, Tin plated

- Electrical
 - UL IEC
 - Rated voltage : 300V 750V
 - Rated current : 5A 15A
 - Insulation resistance: 500MΩ/DC500V
 - Withstanding Voltage : AC2000V/1min
 - Wire range: 20-18AWG 1.5mm²

- Mechanical
 - Operating temperature: -40°C~+105°C
 - Soldering temperature: 250°C±5/5sec
 - Strip length: 8-9mm



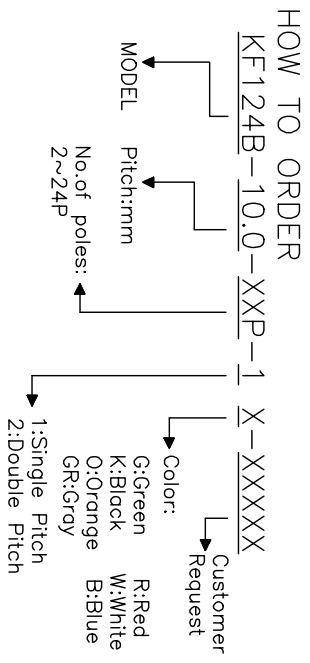
N=Number of Poles
Dim P=(N-1)x10.00
Dim L=NX10.00-5

Poles	Dim P	Dim L
2-6P	±0.10	±0.15
7-12P	±0.20	±0.20
13-18P	±0.25	±0.30
19-24P	±0.30	±0.40

GENERAL TOLERANCE	ANGLE TOLERANCE
X. ±0.5	X. ±5'
.X ±0.3	.X ±3'
.XX ±0.1	.XX ±1'

DRAWING TYPE	CUSTOMER	SHEET	OF
SCALE	1:1	1	1
DRAWING NO.			

PROJECTION	TITLE
UNITS	KF124B-10.0-XXP
SHEET SIZE	A4
SERIES	KF124B



科奕科技有限公司