

REV.	DESCRIPTION	DATE	DRAWN	APPROVED
A1	DWG.REL	2015.3.12	FANG	YANG

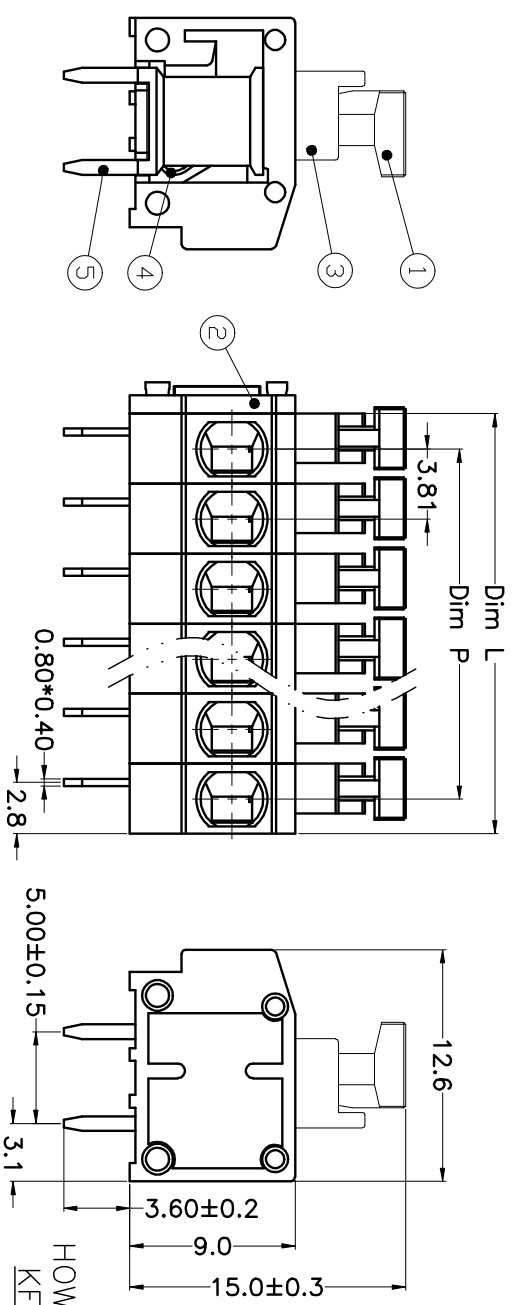
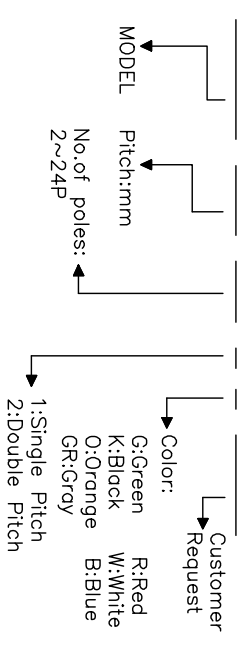
- Material
 - ⌀Button : PA66, UL94V-0
 - ⊙Cover : PA66, UL94V-0
 - ⊙Housing : PA66, UL94V-0
 - ⊙Reed : Stainless steel
 - ⊙Pin header : Brass, Tin plated

- Electrical
 - UL IEC
 - Rated voltage : 300V 250V
 - Rated current : 5A 10A
 - Insulation resistance: 500MΩ/DC500V
 - Withstanding Voltage : AC2000V/1min
 - Wire range: 20-18AWG 1.5mm²

- Mechanical
 - Operating temperature: -40°C~+105°C
 - Soldering temperature: 250°C±5/5sec
 - Strip length: 8-9mm

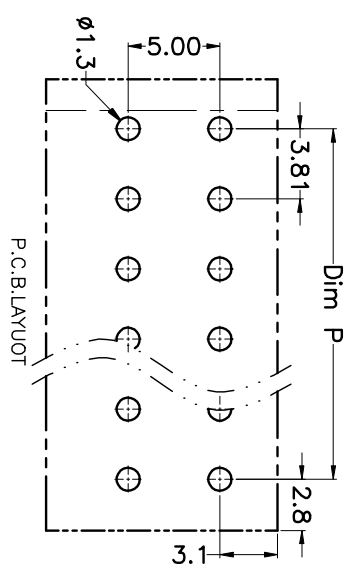
HOW TO ORDER

KF124B-3.81-XXP-1 X-XXXXX



N=Number of Poles
Dim P=(N-1)X3.81
Dim L=Nx3.81

Poles	Dim	Dim P	Dim L
2-6P		±0.10	±0.15
7-12P		±0.20	±0.20
13-18P		±0.25	±0.30
19-24P		±0.30	±0.40



GENERAL TOLERANCE ANGLE TOLERANCE

X.	±0.5	X.	±5'
X	±0.3	X'	±3'
.XX	±0.1	.XX'	±1'

DRAWING TYPE CUSTOMER SCALE SHEET 1 OF 1

DRAWING NO.

PROJECTION UNITS TITLE

KF124B-3.81-XXP

SHEET SIZE	mm	SERIES	KF124B
A4			

科奕科技有限公司