

REV.	DESCRIPTION	DATE	DRAWN	APPROVED
A1	DWG.REL	2015.3.12	FANG	YANG

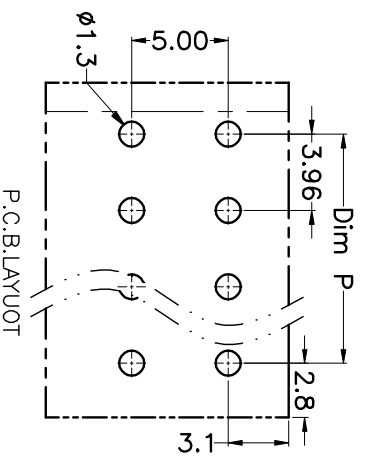
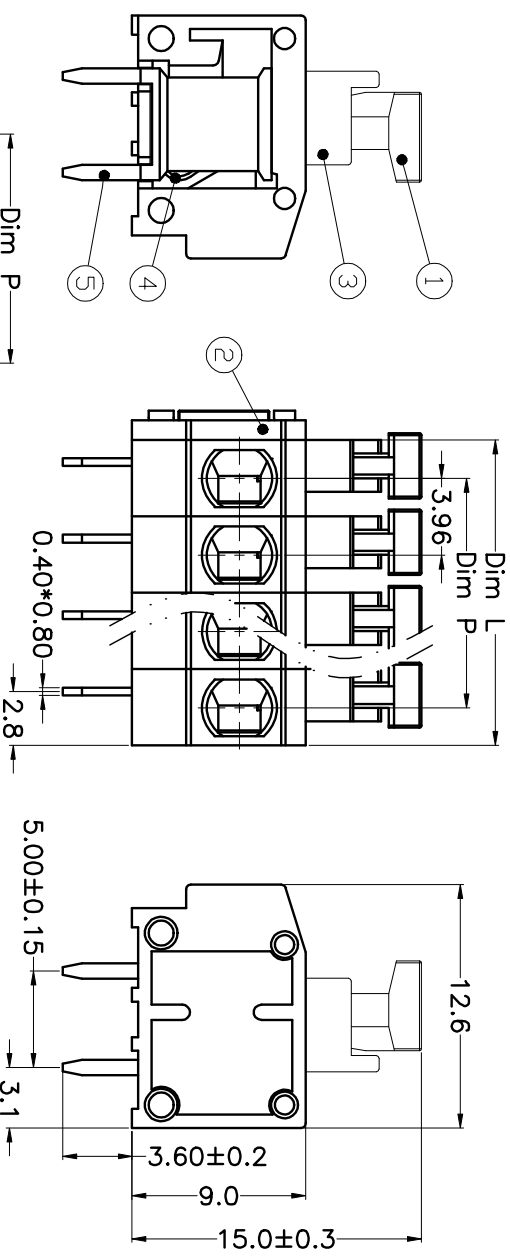
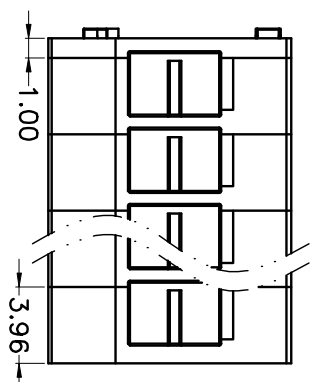
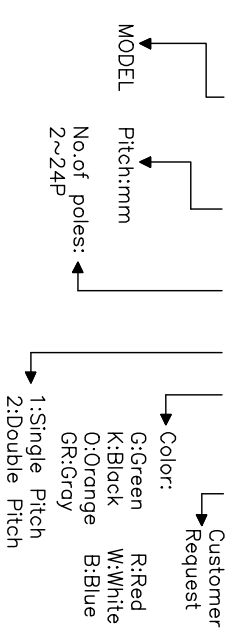
- Material
 - ØButton : PA66, UL94V-0
 - ØCover : PA66, UL94V-0
 - ØHousing : PA66, UL94V-0
 - ØReed : Stainless steel
 - ØPin header : Brass, Tin plated

- Electrical
 - UL IEC
 - Rated voltage : 300V 250V
 - Rated current : 5A 10A
 - Insulation resistance: 500MΩ/DC500V
 - Withstanding Voltage : AC2000V/1min
 - Wire range: 20-18AWG 1.5mm²

- Mechanical
 - Operating temperature: -40°C~+105°C
 - Soldering temperature: 250°C±5/5sec
 - Strip length: 8-90mm

HOW TO ORDER

KF124B-3.96-XXP-1 X-XXXXXX



N=Number of Poles
Dim P=(N-1)x3.96
Dim L=Nx3.96

Poles	Dim P	Dim P	Dim L
2-6P	±0.10	±0.15	±0.15
7-12P	±0.20	±0.20	±0.20
13-18P	±0.25	±0.30	±0.30
19-24P	±0.30	±0.40	±0.40

GENERAL TOLERANCE		ANGLE TOLERANCE	
X.	±0.5	X.	±5'
.X	±0.3	.X	±3'
.XX	±0.1	.XX	±1'
DRAWING TYPE	CUSTOMER		
SCALE	1:1	SHEET	1 OF 1
DRAWING NO.			

PROJECTION	TITLE
UNITS	KF124B-3.96-XXP
SHEET SIZE	A4
SERIES	KF124B

科奕科技有限公司